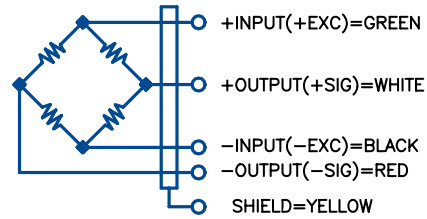


## G4-BB-GF Hardware



### SPECIFICATIONS

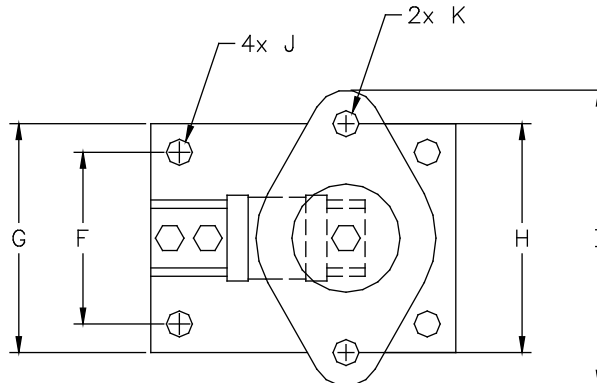
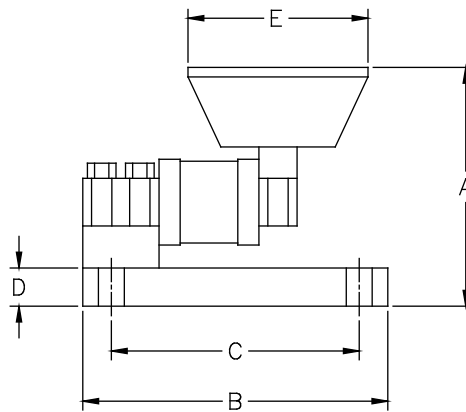
Rated Output (mV/V)	3 (nominal)
Excitation (VDC)	10 Nom, 15 Max
Non-repeatability (%FS)	0.01
Bridge Resistance ( $\Omega$ )	350
Combined Error (%FS)	0.05
Zero Balance (%FS)	$\pm 1.0$
Creep 20 min. (%FS)	0.03
Temperature Range, Operating ( $^{\circ}$ F)	0 to +150
Safe Overload (%FS)	150
Safe Sideload (%FS)	50
Sealing	SIGMA Seal II & Cover/Boot
Material	17-4pH Stainless Steel
Cable length (feet)	10

### MODEL #

G4-BB-GF

### PRICE

\$395



DIMENSIONS											
CAP.	A	B	C	D	E	F	G	H	I	J	K
25-250lb	3.13	4.0	3.25	0.5	2.36	2.25	3.0	3.0	3.88	.34	.34