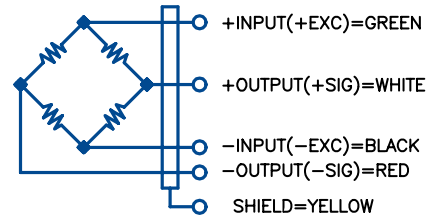


G4-RB-GFM



SPECIFICATIONS

Rated Output (mV/V)	2.997 to 3.003
Combined Error (%FS)*	0.03
Non-repeatability (%FS)	0.01
Zero Balance (%FS)	2.0
Creep 20 min. (%FS)	0.03
Temperature Effect:	
Output (%Ld/°F)	0.0015
Zero (%FS/°F)	0.0025
Temperature Range:	
Compensation (°F)	+14 to +104
Terminal Resistance:	
Input (ohms)	350
Output (ohms)	350±3
Excitation Voltage	10 MaxVDC or 15VACrms
Insulation Resistance (MΩ)	5K
Deflection at Rated Load (inches)	0.01
Safe Overload (%FS)	100
Safe Sideload (%FS)	150
Ultimate Overload (%FS)	300
Sealing	Hermetic / IP67
Material	Stainless Steel
Cable Length (feet)	20

MODEL

G4-RB-GFM

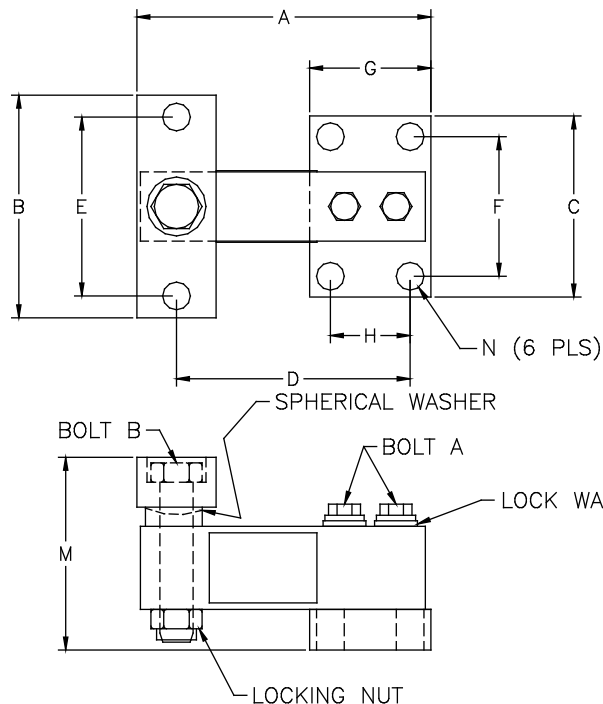
COST

\$395

*Includes effects of non-linearity and hysteresis

Specs for G4-HSRB-S

Also available for G4-BB-s, G4-RB-S



CAPACITY	250-2K
A	5.31
B	4.02
C	3.27
D	4.22
E	3.23
F	2.52
G	2.12
H	1.44
M	3.01
N	.510
BOLT A	1/2-13
BOLT B	1/2-20

LOAD CELL AND HARDWARE	
CAPACITY	PART #
250lb	G4-RB.25K-GFM
500lb	G4-RB.50K-GFM
1000lb	G4-RB1.0K-GFM
2000lb	G4-RB2.0K-GFM
LOAD CELL ONLY	
CAPACITY	PART #
250lb	G4-RB250
500lb	G4-RB500
1000lb	G4-RB1K
2000lb	G4-RB2K
HARDWARE ONLY	
GFM	G4-RB-GFM