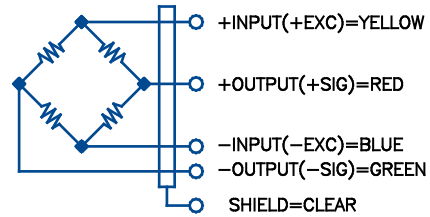


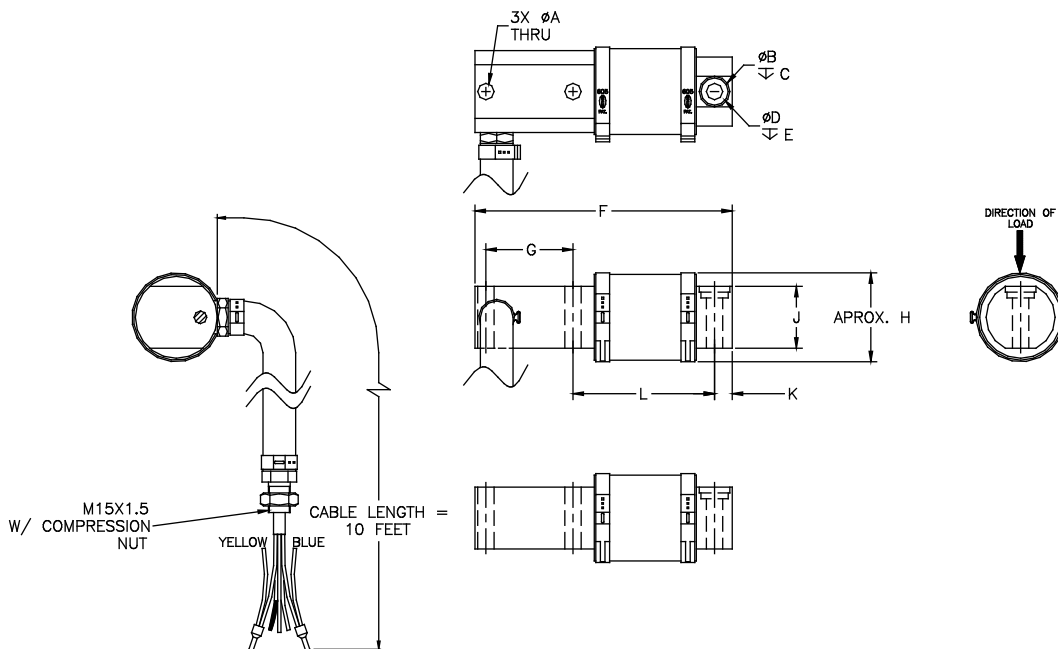
G4-BBK-S



SPECIFICATIONS

	X	CAPACITY	MODEL #	PRICE
Rated output (mV/V)	1.000±0.002	35 kg	G4-BBK35-S	\$1095
Accuracy Class	0.1	100 kg	G4-BBK100-S	\$1095
Eccentric Load per .4 in. (% load)	0.1	200 kg	G4-BBK200-S	\$1095
Repeatability (%FS)	0.03	350 kg	G4-BBK350-S	\$1150
Combined Error (%FS)*	±0.10	1000 kg	G4-BBK1000-S	\$1150
Temperature Effect:				
Zero (%/10°C)	±0.05			
Output (%/10°C)	±0.05			
Excitation Voltage (VAC)	10 Nom, 15 Max			
Zero Balance at 20°C (mV/V)	±0.01			
Temperature Range:				
Compensated (°C)	-10 to 50			
Operating (°C)	-20 to 70			
Safe Overload (%FS)	150			
Ultimate Overload (%FS)	300			
Material	17-4 pH stainless steel			
Sealing	Environmentally protected			
Cable Length (feet)	10			

*Includes effects of non-linearity, hysteresis and 15 minute creep



CAPACITY (kg)	A	B	C	D	E	F	G	H	J	K	L
35, 100 & 200	.394	.730	.100	.680	.100	5.906	1.970	2.000	1.417	.394	3.150
350 & 1000	.563	.816	.120	.750	.120	7.500	2.375	2.500	1.750	.656	3.344