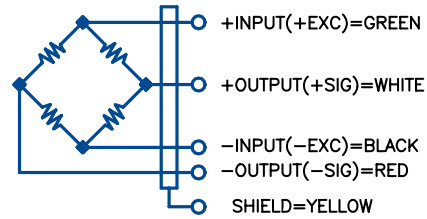


## G4-DSB-S



### SPECIFICATIONS

Rated Output (mV/V)	3.0
Excitation (VDC)	10 Nom, 15 Max
Zero Balance (%FS)	1.0
Bridge Resistance:	
Input ( $\Omega$ )	900 $\pm$ 100
Output ( $\Omega$ )	700 $\pm$ 5
Combined Error (%FS)	0.05
Non-repeatability (%FS)	0.01
Creep in 20 min. (%FS)	0.03
Temperature Sensitivity:	
Output (%FS/ $^{\circ}$ F)	0.0008
Zero (%FS/ $^{\circ}$ F)	0.0015
Temperature Range:	
Compensated ( $^{\circ}$ C)	-10 to 40
Operating ( $^{\circ}$ C)	-20 to 60
Safe Overload (%FS)	150
Ultimate Overload (%FS)	300
Safe Sideload (%FS)	100
Sealing	Sigma seal II
Material	17-4pH stainless steel
Cable Length (feet)	30

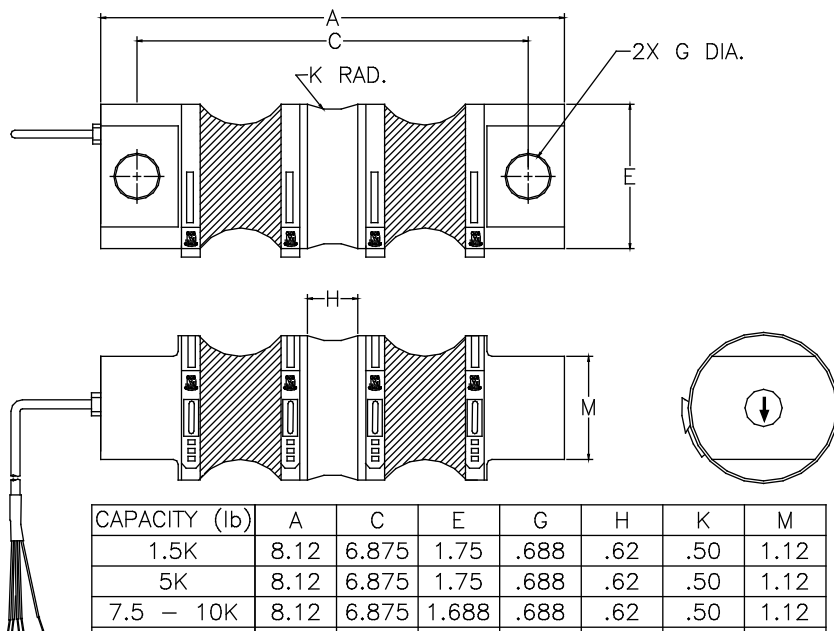
### CAPACITY

1500 lb	G4-DSB1.5K-S	\$655
5000 lb	G4-DSB5K-S	\$655
10,000 lb	G4-DSB10K-S	\$655
15,000 lb	G4-DSB15K-S	\$655
20,000 lb	G4-DSB30K-S	\$655
30,000 lb	G4-DSB20K-S	\$755
40,000 lb	G4-DSB40K-S	\$755
50,000 lb	G4-DSB50K-S	\$755
60,000 lb	G4-DSB60K-S	\$755
75,000 lb	G4-DSB75K-S	\$1475
100,000 lb	G4-DSB100K-S	\$1475
150,000 lb	G4-DSB150K-S	\$1475
200,000 lb	G4-DSB200K-S	*
250,000 lb	G4-DSB250K-S	*

\*Consult factory for pricing

### MODEL #

### PRICE



CAPACITY (lb)	A	C	E	G	H	K	M
1.5K	8.12	6.875	1.75	.688	.62	.50	1.12
5K	8.12	6.875	1.75	.688	.62	.50	1.12
7.5 - 10K	8.12	6.875	1.688	.688	.62	.50	1.12
15 - 20K	8.12	6.875	1.75	.688	.62	.50	1.12
30 - 60K	10.25	8.50	3.00	1.06	1.00	1.00	2.38
100K	11.25	9.50	3.50	1.06	1.25	1.50	2.50
150 - 200K	CONSULT FACTORY						