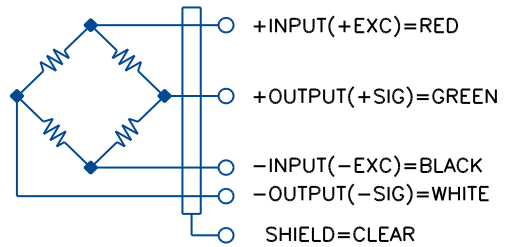
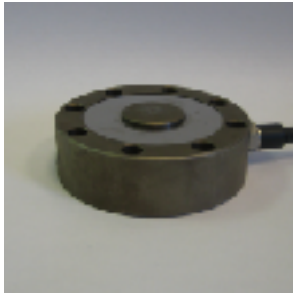


G4-LP



SPECIFICATIONS

Rated Output (mV/V)	2.000±0.002
Non-Linearity (%FS)	<0.05
Hysteresis (%FS)	<0.03
Non-Repeatability (%FS)	<0.02
Zero Balance (%FS)	1.0
Creep in 20 min (%FS)	<0.025
Temperature Effect:	
Output (%load/°F)	0.0008
Zero (%FS/°F)	0.0008
Temperature Range:	
Compensated (°C)	-10 to +40
Operating (°C)	-54 to +93
Bridge Resistance:	
Input (ohms)	350 NOM
Output (ohms)	350 NOM
Excitation Voltage (VDC)	20 MAX
Insulation Resistance (Mohms)	5000
Safe Overload (%FS)	150
Sealing	IP67
Cable Length (ft)	10
Material	Stainless Steel
Deflection (in)	<0.002

CAPACITY

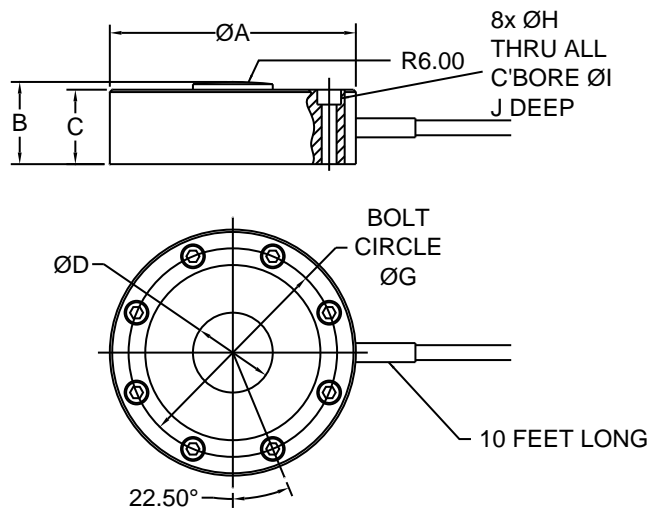
2500 lb
5000 lb
12,500 lb
20,000 lb
25,000 lb

MODEL

G4-LPS2.5KPEWS4
G4-LPS005KPEWS4
G4-LPS12.5KEWS4
G4-LPS020KPEWS4
G4-LPS025KPEWS4

PRICE

\$895
\$895
\$895
\$975
\$975



PHYSICAL DIMENSIONS								
CAPACITY (lb)	ØA	B	C	ØD	ØG	ØH	ØI	J
2.5k - 12.5k	4.13	1.38	1.25	1.34	3.50	.282	.410	.25
20k - 25k	4.75	1.75	1.63	1.57	4.00	.344	.500	.34