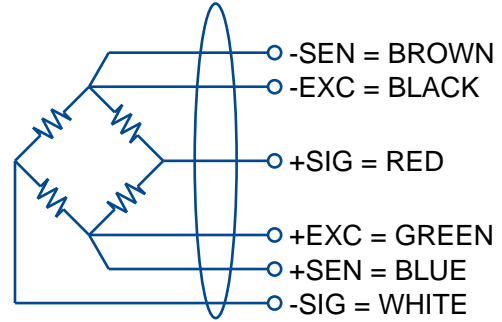


G4-CB-S9-1010



SPECIFICATIONS

Rated Output (mV/V)	2.0±0.2
Combined Error (%FS)	<0.02
Zero Balance (%FS)	±10
Creep in 30 min (%FS)	<0.03
Temperature Effect:	
Output (%load/°C)	<0.001
Zero (%FS/°C)	<0.004
Temperature Effect:	
Compensated (°C)	-10 to +40
Operating (°C)	-20 to +70
Terminal Resistance	
Input (ohms)	415±15
Output (ohms)	350±3
Excitation Voltage (VDC)	10 Nom, 15 Max
Insulation Resistance (Mohms)	>2K
Safe Overload (%FS)	150
Sealing	IP65
Cable (m)	1
Material	Aluminum

CAPACITY

3 kg	G4-CB3-S9-1010	\$195
5kg	G4-CB5-S9-1010	\$195
7 kg	G4-CB7-S9-1010	\$195
10 kg	G4-CB10-S9-1010	\$195
15 kg	G4-CB15-S9-1010	\$195
20 kg	G4-CB20-S9-1010	\$195
30 kg	G4-CB30-S9-1010	\$195
50 kg	G4-CB50-S9-1010	\$195
90 kg	G4-CB90-S9-1010	\$195

MODEL

PRICE

