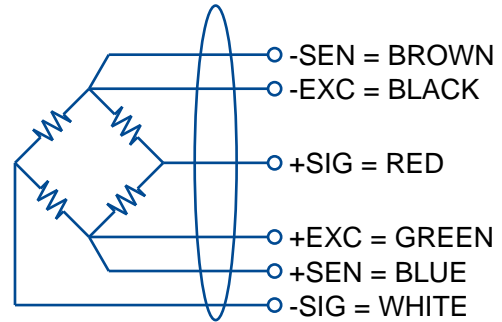


G4-CB-S91241



SPECIFICATIONS

Rated Output (mV/V)	2.0±0.2
Combined Error (%FS)	<0.03
Zero Balance (%FS)	±10
Creep in 30 min (%FS)	<0.05
Temperature Effect:	
Output (%load/°C)	<0.003
Zero (%FS/°C)	<0.010
Temperature Effect:	
Compensated (°C)	-10 to +40
Operating (°C)	-30 to +70
Terminal Resistance	
Input (ohms)	415±15
Output (ohms)	350±3
Excitation Voltage (VDC)	10 Nom, 15 Max
Insulation Resistance (Mohms)	>2K
Safe Overload (%FS)	150
Sealing	IP54
Cable (m)	1
Material	Aluminum

CAPACITY

CAPACITY	MODEL #	PRICE
50 kg	G4-CB50S91241	\$305
100 kg	G4-CB100S91241	\$305
150 kg	G4-CB150S91241	\$305
200 kg	G4-CB250S91241	\$305
250 kg	G4-CB300S91241	\$305

