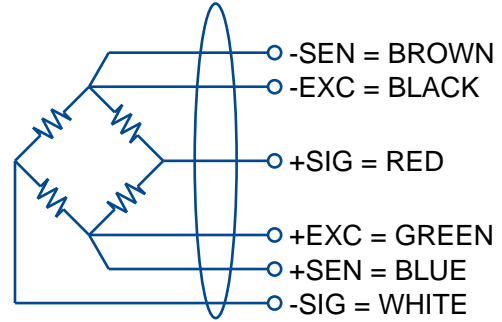


G4-CB-S91260



SPECIFICATIONS

Rated Output (mV/V)	2.0±0.2
Combined Error (%FS)	<0.02
Zero Balance (%FS)	±10
Creep in 30 min (%FS)	<0.033
Temperature Effect:	
Output (%load/°C)	<0.0010
Zero (%FS/°C)	<0.0023
Temperature Effect:	
Compensated (°C)	-10 to +40
Operating (°C)	-20 to +70
Terminal Resistance	
Input (ohms)	415±15
Output (ohms)	350±3
Excitation Voltage (VDC)	10 Nom, 15 Max
Insulation Resistance (Mohms)	>2K
Safe Overload (%FS)	150
Sealing	IP66
Cable (m)	3
Material	Aluminum

CAPACITY

50 kg	G4-CB50S91260	\$250
75 kg	G4-CB75S91260	\$250
100 kg	G4-CB100S91260	\$250
150 kg	G4-CB150S91260	\$250
250 kg	G4-CB250S91260	\$250
300 kg	G4-CB300S91260	\$250
500 kg	G4-CB500S91260	\$250
635 kg	G4-CB635S91260	\$250
660 kg	G4-CB660S91260	\$250

MODEL

PRICE

