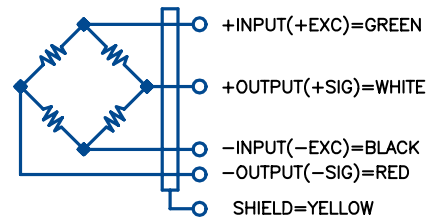


G4-CB-S



SPECIFICATIONS

Rated Output (mV/V)	3.00±0.25%
Operating Temp. Range (°C)	-50 to +90
Combined Error (%FS)*	0.05
Zero Balance (%FS)	±1.0
Excitation Voltage (VDC)	10 Nom, 15 Max
Safe Overload (%FS)	150
Ultimate Overload (%FS)	300
Safe Sideload (%FS)	50
Sideload Rejection Ratio	500:1
Bridge Resistance	
Input (Ω)	450
Output (Ω)	350±5
Sealing	Environmentally Sealed/ IP67
Material	17-4pH Stainless Steel
Cable Length (feet)	11

CAPACITY

50 lb
100 lb
200 lb
250 lb
300 lb
500 lb
1K lb
2K lb
3K lb

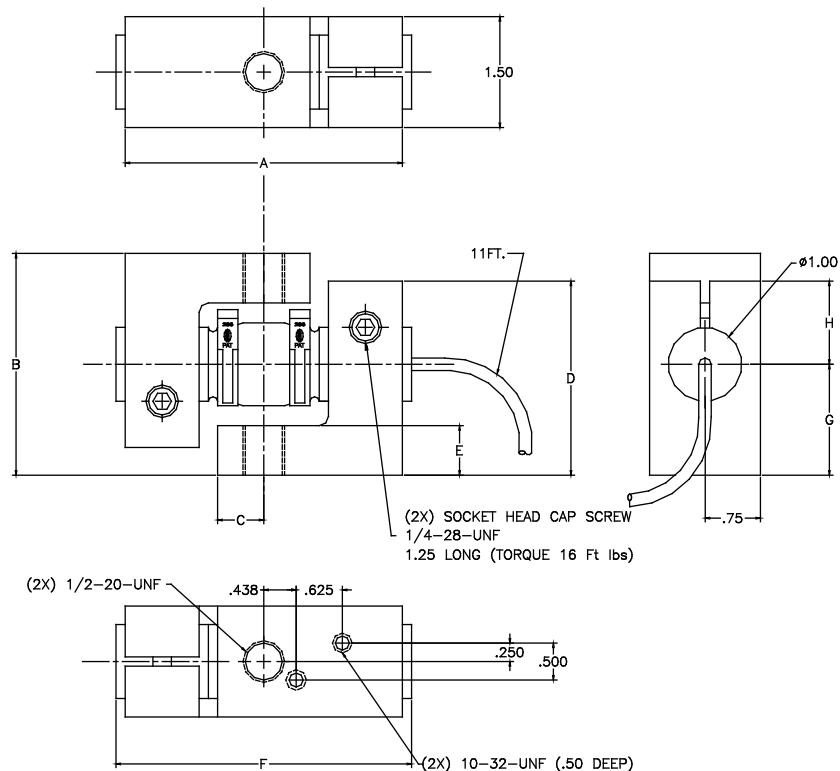
MODEL

G4-CB50-S
G4-CB100-S
G4-CB200-S
G4-CB250-S
G4-CB300-S
G4-CB500-S
G4-CB1K-S
G4-CB2K-S
G4-CB3K-S

PRICE

\$895
\$895
\$895
\$895
\$895
\$895
\$895
\$965
\$965

*Includes effects of non-linearity and hysteresis



CAPACITY	A	B	C	D	E	F	G	H
50-1K	3.75	3.00	.63	2.62 (2PL'S)	.67	4.00	1.50	1.125
2K-3K	4.00	4.56	.71	3.75	1.00	4.38	2.28	1.47