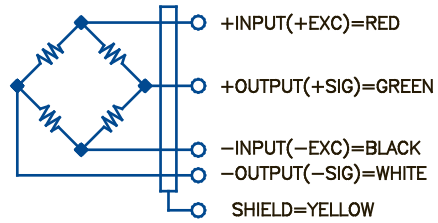


G4-HY-S (small envelopes)



SPECIFICATIONS

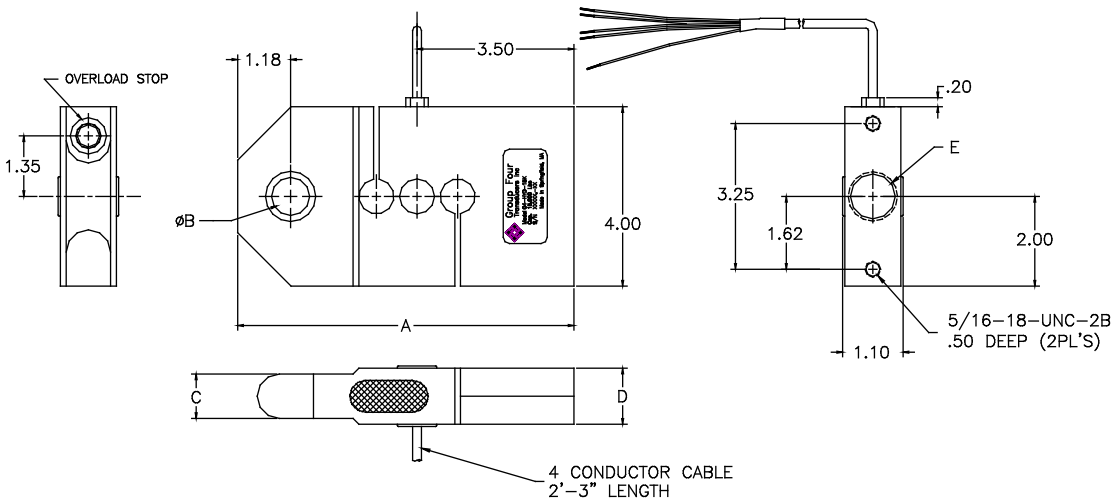
Rated Output (mV/V)	3.000±0.002
Operating Temperature Range (°C)	-20 to 60
Combined Error (%FS)	<0.05
Zero Balance (%FS)	±1
Excitation Voltage (VDC)	10 Nom, 15 Max
Bridge Resistance:	
Input (Ω)	450±100
Output (Ω)	350±5
Safe Overload (%FS)	150
Sealing	Environmentally protected / IP67
Material	17-4pH stainless steel
Cable Length:	2.25

CAPACITY

2500 lb	G4-HY2.5K-S	\$995
5000 lb	G4-HY5K-S	\$995
10,000 lb	G4-HY10K-S	\$995
15,000 lb	G4-HY15K-S	\$1995

MODEL

PRICE



CAPACITY	A	B	C	D	E
25K-10K	7.00	.78	.86	.99	3/4-16-UNF-2B
15K	7.50	1.00	.99	1.25	1-12-UNF-2B