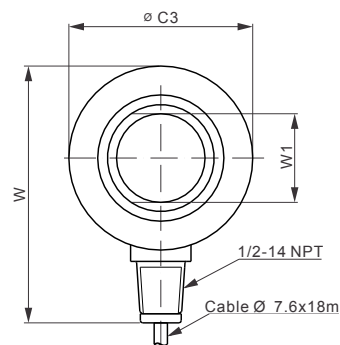
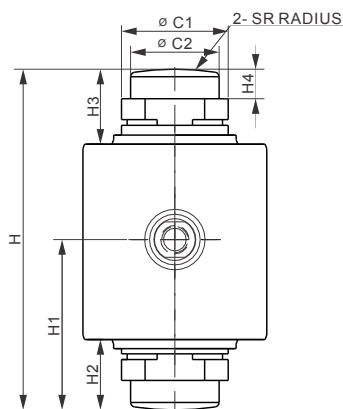


5009

Stainless Steel



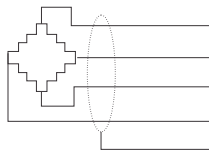
** NOTE : Not all approvals are available on all models. Please request a certified drawing if specific approvals are required.

DIMENSIONS

RATED CAPACITY	C1	C2	C3	H	H1	H2	H3	H4	SR	W	W1
kg/mm											
7,500..22,500	47.0	28.0	65.0	89.0	44.0	17.0	23.0	11.0	80.0	97.0	28.0
30,000..40,000	47.0	39.0	81.0	150.0	75.0	31.0	33.0	13.0	120.0	113.0	39.0
50,000	47.0	44.0	99.0	178.0	89.0	32.0	34.0	17.0	180.0	131.0	44.0
100,000	-	62.0	141.3	178.0	89.0	38.5	38.5	17.0	-	173.3	62.0
150,000	-	76.2	165.1	210.0	105.0	42.7	42.7	20.6	-	197.1	76.2
300,000	-	100.0	165.1	280.0	140.0	55.9	55.9	25.0	-	197.1	100.0
lb/inches (conversion of above dimensions)											
16,534.7..49,604	1.85	1.10	2.56	3.19	1.73	0.67	0.91	0.43	3.15	3.82	1.10
66,138.7..88,184.9	1.85	1.54	3.19	5.91	2.95	1.22	1.30	0.51	4.72	4.45	1.54
110,231.1	1.85	1.73	3.90	7.01	3.50	1.26	1.34	0.67	7.09	5.16	1.73
220,462.3	-	2.44	5.56	7.01	3.50	1.52	1.52	0.67	-	6.82	2.44
330,693.4	-	3.00	6.50	8.27	4.13	1.68	1.68	0.81	-	7.76	3.00
661,386.8	-	3.94	6.50	11.02	5.51	2.20	2.20	0.98	-	7.76	3.94

SPECIFICATIONS

Rated Capacity	t	7.5; 22.5; 30; 40; 50; 100; 150; 300
Weight (G), approx.	kg/lb	-
Full Scale Output	mV/V	2±0.1%
Zero Balance	mV/V	±0.02
Non-linearity	%	<±0.030
Repeatability	%	<±0.017
Hysteresis error	%	<±0.020
Creep in 30 min.	%	<±0.020
Bridge Resistance	Ω	1000±2
Rated Excitation	V(DC/AC)	10 (15V Maximum)
Insulation Resistance	GΩ	>2[50 VDC]
Nominal Temperature Range	°C/°F	-10 to 40 / 14 to 104
Safe Overload	% of full scale	150
Breaking Overload	% of full scale	300
Seal Type		Environmentally-sealed, IP67



- Exc+ Red
- Sig+ Green
- Exc- Black
- Sig- White
- Shield Bare

AVAILABLE OPTIONS

Alloy steel

INTERCHANGEABLE PRODUCTS

Manufacturer	Model
FAIRBANKS.....LCFHR0402-2A(30t), part number #70510	
FLINTEC.....	RC3(7.5t~50t)