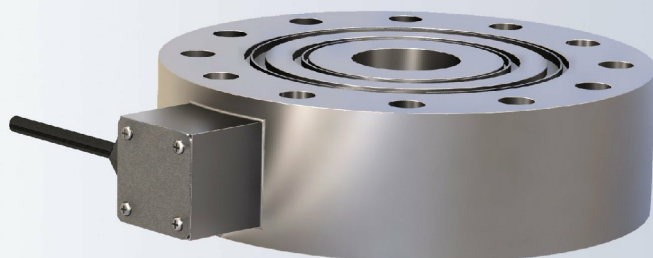


The type 5014 is a steel compression load cell for force and weight measurement.



IP67

FEATURES

- Capacities from 1t to 300t.
- Alloy steel construction.
- Environmental Protection IP67.

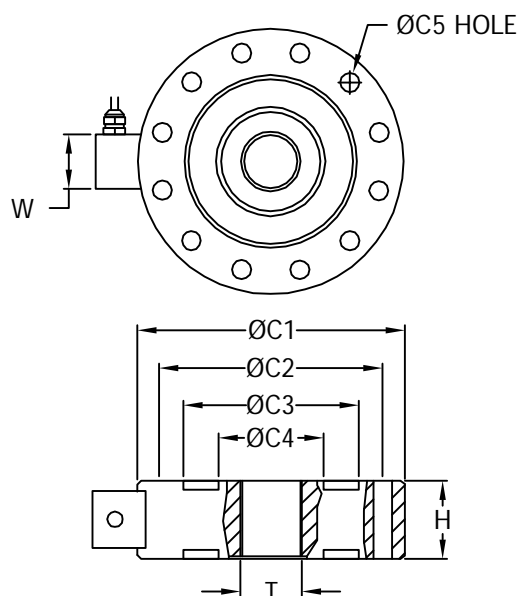
APPLICATIONS

- Force and weight measurement.

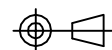
OPTIONS

- Service temperature range up to 120°C.
- 6 Wire circuit.
- Lightning protection.

OUTLINE DIMENSIONS



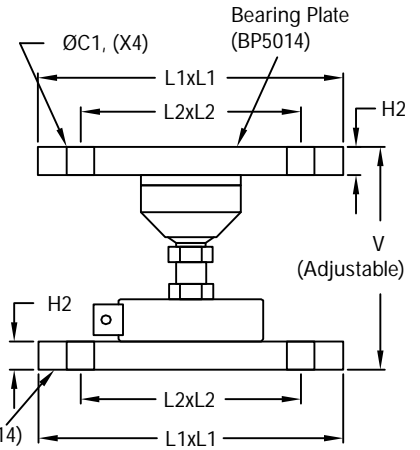
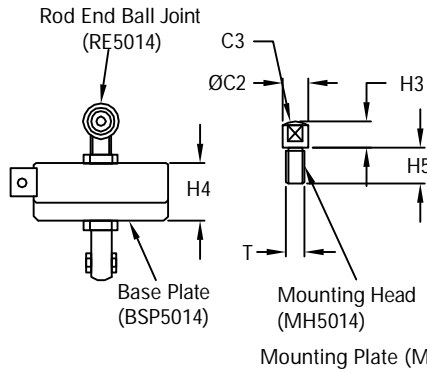
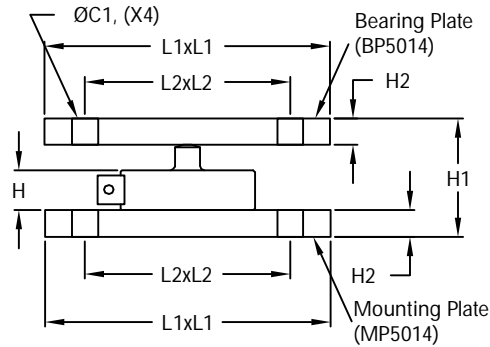
Capacity(t)	C1	C2	C3	C4	C5	H	W	T
1... 5	4.45 [113.0]	3.82 [97.0]	2.99 [76.0]	1.65 [42.0]	0.28[7.0], (X8)	1.38 [35.0]	1.26 [32.0]	M24x2
10... 20	6.10 [155.0]	5.12 [130.0]	3.98 [101.0]	2.40 [61.0]	0.43[11.0], (X12)	1.77 [45.0]	1.26 [32.0]	M36x2
30	7.09 [180.0]	5.91 [150.0]	4.72 [120.0]	3.15 [80.0]	0.51[13.0], (X12)	2.28 [58.0]	1.26 [32.0]	M42x2
50	8.07 [205.0]	6.50 [165.0]	4.72 [120.0]	3.15 [80.0]	0.51[13.0], (X16)	2.52 [64.0]	1.26 [32.0]	M42x2
100	11.02 [280.0]	8.98 [228.0]	6.93 [176.0]	4.88 [124.0]	0.67[17.0], (X16)	3.54 [90.0]	1.89 [48.0]	M70x3
150... 200	11.65 [296.0]	10.08 [256.0]	8.54 [217.0]	5.47 [139.0]	0.87[22.0], (X16)	4.72 [120.0]	1.89 [48.0]	M90x3
300	13.62 [346.0]	11.10 [282.0]	9.29 [236.0]	7.09 [180.0]	1.02[26.0], (X16)	7.09 [180.0]	1.89 [48.0]	M120x3



canisters and disks

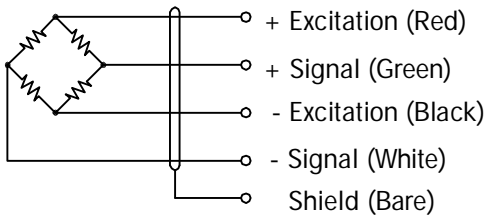
5014

Mounting Hardware for 5014 Load Cell :



Capacity(t)	C1	C2	C3	H	H1	H2	H3	H4	H5	L1	L2	T
1... 5	0.55[14.0]	1.06[27.0]	3.35[85.0]	1.38[35.0]	3.50[89.0]	0.91[23.0]	0.31[8.0]	2.52[64.0]	0.98[25.0]	5.91[150.0]	5.04[128.0]	M24x2
10... 20	0.71[18.0]	1.77[45.0]	5.91[150.0]	1.77[45.0]	4.84[123.0]	1.10[28.0]	0.87[22.0]	3.54[90.0]	1.50[38.0]	7.87[200.0]	5.51[140.0]	M36x2
30	0.71[18.0]	2.13[54.0]	7.09[180.0]	2.28[58.0]	6.14[156.0]	1.30[33.0]	1.26[32.0]	4.25[108.0]	1.89[48.0]	8.86[225.0]	6.69[170.0]	M42x2
50	0.71[18.0]	2.52[64.0]	7.87[200.0]	2.52[64.0]	7.17[182.0]	1.50[38.0]	1.65[42.0]	4.49[114.0]	2.13[54.0]	9.84[250.0]	7.87[200.0]	M42x2
100	0.71[18.0]	4.02[102.0]	11.81[300.0]	3.54[90.0]	9.37[238.0]	1.97[50.0]	1.89[48.0]	-	3.11[79.0]	12.80[325.0]	11.42[290.0]	M70x3
150... 200	0.71[18.0]	5.35[136.0]	11.81[300.0]	4.72[120.0]	13.39[340.0]	3.15[80.0]	2.36[60.0]	-	3.11[79.0]	14.37[365.0]	12.99[330.0]	M90x3
300	0.71[18.0]	6.30[160.0]	19.69[500.0]	7.09[180.0]	18.11[460.0]	3.94[100.0]	3.15[80.0]	-	3.54[90.0]	15.94[405.0]	14.57[370.0]	M120x3

WIRING



Cable : Ø6.1mm dia. 4 Conductor cable.

PART NUMBERS

Capacity (t)	Part#
1	5014-000-00
2	5014-001-00
3	5014-002-00
5	5014-003-00
10	5014-004-00
20	5014-005-00
30	5014-006-00
50	5014-007-00
100	5014-008-00
150	5014-009-00
200	5014-010-00
300	5014-011-00

SPECIFICATIONS

Model	5014		
Capacities	t	1/ 2/ 3/ 5	10/ 20/ 30/ 50/ 100/ 150/ 200/ 300
Full scale output (FS)	mV/V	2.0±1%	
Non-linearity	%FS	≤±0.05	≤±0.3
Hysteresis	%FS	≤±0.05	≤±0.3
Non- repeatability	%FS	≤±0.03	≤±0.2
Creep @ 30min	%FS	≤±0.05	≤±0.5
Zero balance	mV/V	+0.04	+0.04
Temperature range			
Operating	°C	-10... +40	
Bridge resistance	Ω	700±5	
Excitation voltage	V(DC/AC)	10... 15	
Insulation resistance @50V DC	MΩ	≥2000	
Safe overload limit	%FS	150	
Ultimate load	%FS	300	
Cable length	m	10	
Seal type	IP67		
Element material	Alloy steel		

Dimensions and specifications subject to change without notice



Group Four Transducers
22 Deer Park Drive,
E. Longmeadow, MA 01028
www.groupfourtransducers.com

Phone : (800) 419 1444
Fax : (413) 525 -6182
sales@group-4.com