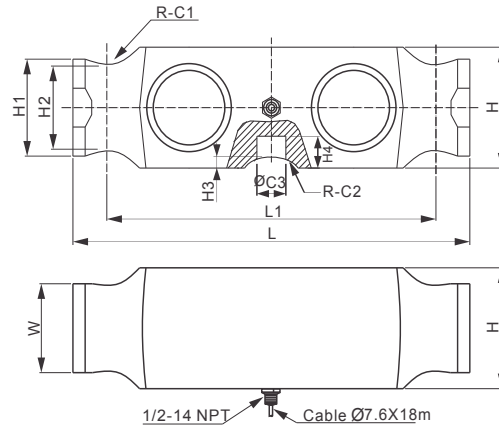




** NOTE : Not all approvals are available on all models.
Please request a certified drawing if specific approvals are required.

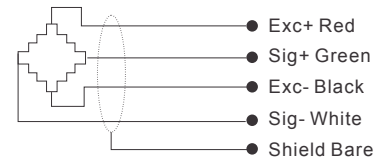


DIMENSIONS

RATED CAPACITY	C1	C2	C3	H	H1	H2	H3	H4	L	L1	W
lb/inches											
50,000..65,000	1.00	1.00	0.75	2.99	2.40	2.06	0.28	0.79	10.25	8.50	2.20
100,000..125,000	1.00	1.00	-	2.99	2.40	2.06	0.28	-	10.25	8.50	2.20
kg/mm											
10,000; 15,000	19.0	19.0	16.0	49.3	40.0	30.0	5.7	13.7	220.0	170.0	36.0

SPECIFICATIONS

Rated Capacity	t/lb	10; 15	50K; 65K; 100K; 125K
Weight (G), approx.	kg/lb	4 / 9	9 / 19
Full Scale Output	mV/V	3.0±0.25%	
Zero Balance	mV/V	±0.06	
Non-linearity	%	<±0.030	
Repeatability	%	<±0.017	
Hysteresis Error	%	<±0.023	
Creep in 30 min.	%	<±0.023	
Bridge Resistance	Ω	700±10	
Rated Excitation	V(DC/AC)	10 (15V Maximum)	
Insulation Resistance	GΩ	>2[50 VDC]	
Nominal Temperature Range	°C/°F	-10 to 40 / 14 to 104	
Safe Overload	% of full scale	150	
Breaking Overload	% of full scale	300	
Seal Type		Welded-seal, IP68	



AVAILABLE OPTIONS

- Service temperature range up to 120°C [248°F]
- Lightning protection
- 6-wire circuit
- Stainless Steel

INTERCHANGEABLE PRODUCTS

Manufacturer	Model
Group Four.....	G4-DBS69803
Rice Lake.....	75223
Vishay Revere Transducers	5223
Vishay Sensortronics	65040-1127W

DOUBLE ENDED BEAMS