

The type 8001 /8002 is miniature load cell, designed for use in limited space.



IP66

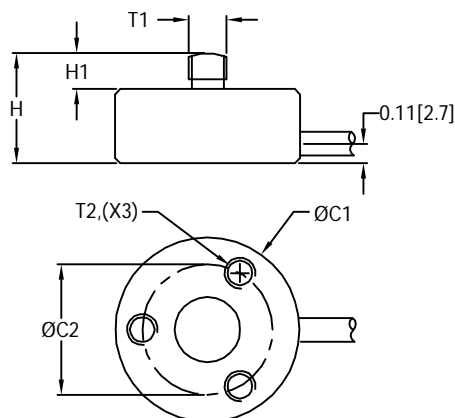
FEATURES

- Capacities from 1kg to 5000kg.
- Environmental protection IP66.
- Aluminum construction for capacities from 1kg to 20kg (model 8001) and Stainless steel construction for capacities from 30kg to 5000kg(model 8002).

APPLICATIONS

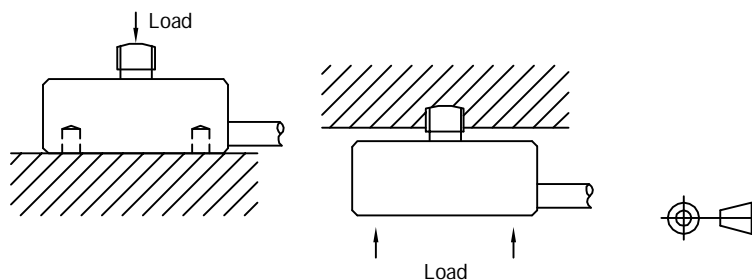
- Limited space compression force measure or weighing.

OUTLINE DIMENSIONS



Model	Rated Capacity(kg)	C1	C2	H	H1	T1	T2	Element material
8001	1... 20	0.79 [20.0]	0.59 [15.0]	0.43 [11.0]	0.16 [4.0]	M3	M3, 0.16[4.0]DP.	Aluminum
8002	30... 200	0.79 [20.0]	0.59 [15.0]	0.43 [11.0]	0.16 [4.0]	M3	M3, 0.20[5.0]DP.	Stainless steel
	500... 2000	1.00 [25.4]	0.71 [18.0]	0.59 [15.0]	0.20 [5.0]	M5	M4, 0.28[7.0]DP.	
	5000	1.57 [40.0]	1.26 [32.0]	0.98 [25.0]	0.31 [8.0]	M12	M4, 0.24[6.0]DP.	

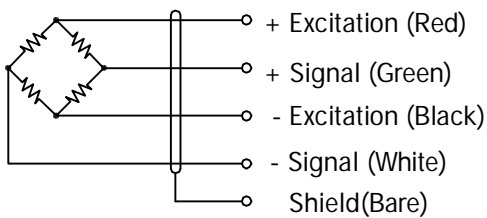
Application :



load buttons 8001/8002



WIRING



Cable : Ø3mm dia. 4 Conductor cable.

SPECIFICATIONS

Model	8001/ 8002		
Capacities	kg	See table	
Full scale output(FS)	mV/V	Cap≤20kg :1.0±20% Cap≥30kg: 1.5±20%	
Non-linearity	%FS	≤±0.5	
Hysteresis	%FS	≤±0.5	
Non- repeatability	%FS	≤±0.3	
Creep@30min	%FS	≤±0.5	
Zero Balance	mV/V	±0.02	
Temperature range			
	Operating	°C	-10... +40
Terminal resistance			
	Input resistance	Ω	400±20
	Output resistance	Ω	350±3
Excitation voltage	VDC	10... 15	
Insulation resistance@50VDC	MΩ	≥2000	
Safe overload limit	%FS	150	
Ultimate load	%FS	300	
Cable length	m	2	
Seal type	IP66		
Element material	Cap≤20kg :Aluminum Cap≥30kg: Stainless steel		

Dimensions and specifications subject to change without notice