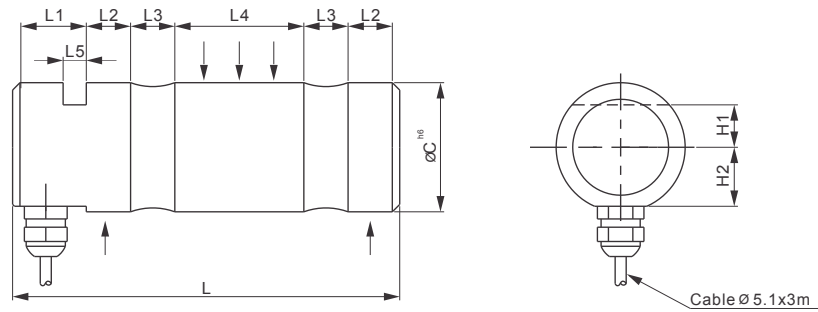


7001

Stainless Steel



LOAD PINS



** NOTE : Not all approvals are available on all models. Please request a certified drawing if specific approvals are required

DIMENSIONS

RATED CAPACITY C		H1	H2	L	L1	L2	L3	L4	L5
kg/mm									
2,000..5,000	35.0	11.5	16.0	105.0	20.0	12.0	12.0	35.0	6.30
10,000	50.0	20.0	22.5	152.0	30.0	18.0	18.0	48.0	10.5
20,000	65.0	22.5	28.5	190.0	32.0	20.0	25.0	65.0	10.5
40,000	85.0	22.5	28.5	256.0	36.0	35.0	28.0	89.0	12.5
70,000	100.0	34.0	35.0	328.0	40.0	50.0	32.0	120.0	15.0
lb/inches (conversion of above dimensions)									
4,409.2..11,023.1	1.38	0.45	0.63	4.13	0.79	0.47	0.47	1.38	0.25
22,046.2	1.97	0.79	0.89	5.98	1.18	0.71	0.71	1.89	0.41
44,092.5	2.56	0.89	1.12	7.48	1.26	0.79	0.98	2.56	0.41
88,184.9	3.35	0.89	1.12	10.08	1.42	1.38	1.10	3.50	0.49
154,323.6	3.94	1.34	1.38	12.91	1.57	1.97	1.26	4.72	0.59

SPECIFICATIONS

Rated Capacity	t	2; 5	10	20	40	70
Weight (G), approx.	kg/lb	0.8 / 1.7	2.1 / 4.6	10.4 / 22.9	11.2 / 24.8	20 / 45
Full Scale Output	mV/V	1±10%				
Zero Balance	mV/V	±0.05				
Non-linearity	%	<±0.50				
Repeatability	%	<±0.30				
Hysteresis error	%	<±0.50				
Creep in 30 min.	%	<±0.20				
Bridge Resistance	Ω	350±3				
Rated Excitation	V(DC/AC)	10 (15V Maximum)				
Insulation Resistance	GΩ	>2[50 VDC]				
Nominal Temperature Range	°C/°F	-10 to 40 / 14 to 104				
Safe Overload	% of full scale	200				
Breaking Overload	% of full scale	400				
Seal Type		Environmentally-sealed, IP67				

AVAILABLE OPTIONS

- Service temperature range up to 120°C[248°F]
- Lightning protection
- Tailor made for different application

APPLICATION EXAMPLES (IN DIAGRAM FORM)

