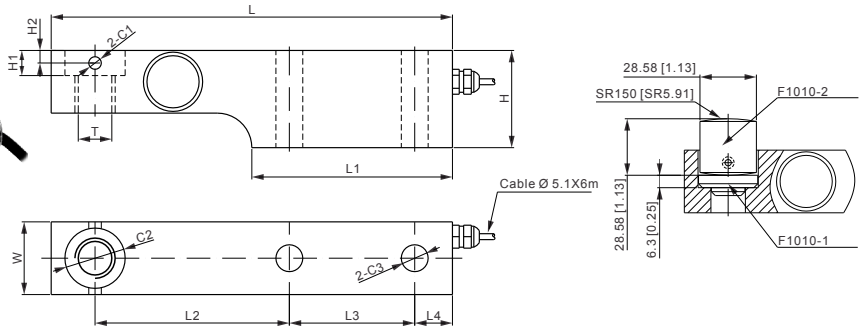


1010

Stainless Steel

SINGLE ENDED BEAMS



** NOTE : Not all approvals are available on all models. Please request a certified drawing if specific approvals are required.

DIMENSIONS

RATED CAPACITY	C1	C2	C3	H	H1	H2	L	L1	L2	L3	L4	W	T
lb/inches													
2,500	0.25	1.20	0.54	1.94	0.75	0.25	8.00	4.00	3.87	2.50	0.75	1.45	3/4-16 UNF-2B
5,000	0.25	1.20	0.54	1.94	0.75	0.25	8.00	4.00	3.87	2.50	0.75	1.45	3/4-16 UNF-2B
10,000	0.25	1.20	0.78	2.46	0.75	0.25	9.00	4.00	5.25	2.00	0.75	1.94	0.69
20,000	0.25	1.20	0.78	2.46	0.75	0.25	9.00	4.00	5.25	2.00	0.75	1.94	0.69
kg/mm (conversion of above dimensions)													
1,134.0	6.35	30.5	13.6	49.2	19.0	6.35	203.2	101.6	98.4	63.5	19.1	36.8	3/4-16 UNF-2B
2,268.0	6.35	30.5	13.6	49.2	19.0	6.35	203.2	101.6	98.4	63.5	19.1	36.8	3/4-16 UNF-2B
4,535.9	6.35	30.5	19.9	62.5	19.0	6.35	228.6	101.6	133.4	50.8	19.1	49.3	17.45
9,071.8	6.35	30.5	19.9	62.5	19.0	6.35	228.6	101.6	133.4	50.8	19.1	49.3	17.45

SPECIFICATIONS

Rated Capacity	lb	2.5K	5K	10K	20K
Weight (G), approx.	kg/lb	2.3 / 5.1	2.5 / 5.5	4.3 / 9.5	4.7 / 10.4
Full Scale Output	mV/V	2.0±0.25%			
Zero Balance	mV/V	±0.02			
Non-linearity	%	<±0.023			
Repeatability	%	<±0.023			
Hysteresis Error	%	<±0.023			
Creep in 30 min.	%	<±0.030			
Bridge Resistance	Ω	350±7			
Rated Excitation	V(DC/AC)	10 (18V Maximum)			
Insulation Resistance	GΩ	>2[50 VDC]			
Nominal Temperature Range	°C/°F	-10 to 40 / 14 to 104			
Safe Overload	% of full scale	150			
Breaking Overload	% of full scale	300			
Seal Type		Welded-seal, IP68			

- Exc+ Red
- Sig+ Green
- Exc- Black
- Sig- White
- Shield Bare

AVAILABLE OPTIONS

Service temperature range up to 120°C [248°F]
Hermetic sealed. Glass to metal connector

INTERCHANGEABLE PRODUCTS

Manufacturer	Model
Cardinal.....	SB2500S
Cardinal.....	SB5000S
Cardinal.....	SB10000S
Cardinal.....	SB20000S
Rice Lake.....	RLSB250*

* Rice Lake RLSB250 is through hole design.