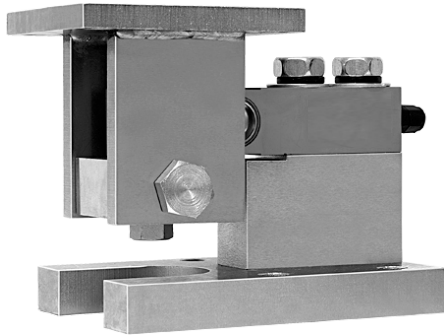


1000WM10

Stainless Steel

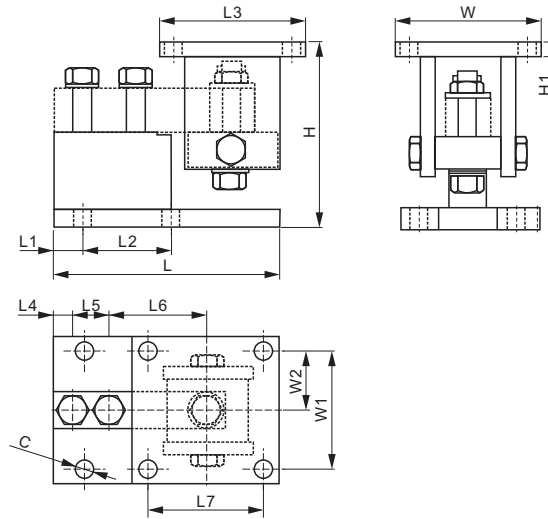


Load Cell Certifications:



The 1000WM2 weigh module is center-pivoted, tension loading, multi-directional movement.

Note: Weigh Assembly only. Load cell not included



RATED CAPACITY	C	H _{Min/Max}	H1	L	DIMENSIONS							W	W1	W2	
					L1	L2	L3	L4	L5	L6	L7				
lb/inches															
100..4,000;SE5,000	0.63	5.25/5.56	0.50	5.98	0.67	2.00	5.04	15.80	1.00	3.00	4.02	5.04	4.02	2.01	
5,000..10,000	0.63	6.12/6.62	0.50	7.76	1.06	2.99	5.04	19.10	1.50	3.75	4.02	5.04	4.02	2.01	
kg/mm (conversion of above dimensions)															
45.4..1,814.4;SE2,268	16.0	133.4/141.2	12.7	152.0	17.0	50.8	128.0	401.3	25.4	76.2	102.1	128.0	102.1	51.1	
2,268..4,535.9	16.0	155.5/168.2	12.7	197.0	27.0	75.9	128.0	485.1	38.1	95.3	102.1	128.0	102.1	51.1	

AVAILABLE OPTIONS

Nickle plated mild steel / Alloy steel

INTERCHANGEABLE PRODUCTS

Manufacturer	Model
Rice Lake.....	RL1800