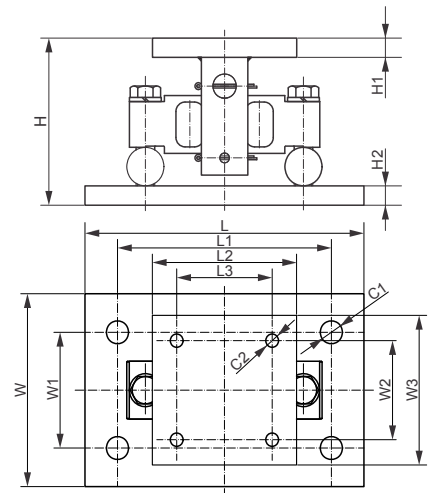
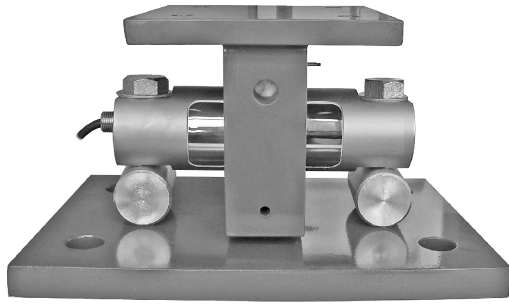


2000WM2

Alloy Steel



Load Cell Certifications:



Self checking and easy to use design which can be bolted directly to tank leg, compensates for thermal expansion.

Note: Weigh Assembly only. Load cell not included

RATED CAPACITY	DIMENSIONS												
	C1	C2	H	H1	H2	L	L1	L2	L3	W	W1	W2	W3
lb/inches													
5,000..20,000	1.06 DIA	0.56 DIA	5.27	0.50	0.75	11.00	8.00	5.50	3.00	7.50	4.00	3.00	5.50
30,000..75,000	1.19 DIA	0.69 DIA	8.42	0.75	1.00	15.00	11.50	7.76	5.13	10.00	6.00	5.13	7.76
100,000..150,000	1.38 DIA	0.81 DIA	10.12	1.00	1.25	18.00	14.00	10.0	7.50	12.00	9.00	7.50	10.0
kg/mm (conversion of above dimensions)													
2,268..9,071.8	27.0 DIA	14.3 DIA	133.9	12.7	19.0	279.4	203.2	139.7	76.2	190.5	101.6	76.2	139.7
22,679.6	30.2 DIA	17.5 DIA	213.9	19.0	25.4	381.0	292.1	197.0	130.4	254.0	152.4	130.4	197.0
45,359.2..68,038.9	35.0 DIA	20.6 DIA	257.0	25.4	31.8	457.2	355.6	254.0	190.5	304.8	228.6	190.5	254.0

AVAILABLE OPTIONS

Stainless Steel

INTERCHANGEABLE PRODUCTS

Manufacturer	Model
Rice Lake.....	EZ Mount 1