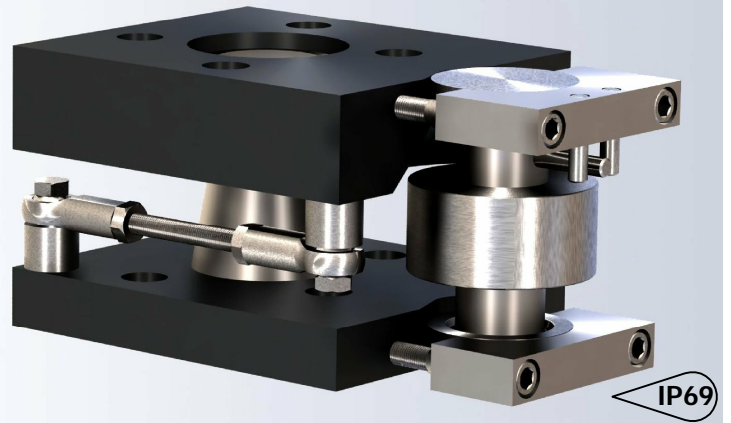


The type RC-WM is a self aligning weigh module with superior load introduction.

The weigh module will be shipped completely pre-assembled, ready for installation by welding or bolting.



FEATURES

- Capacities from 5-50 ton
- Self aligning
- Totally hermetically sealed load cell
- Integral checking
- Up lift protected

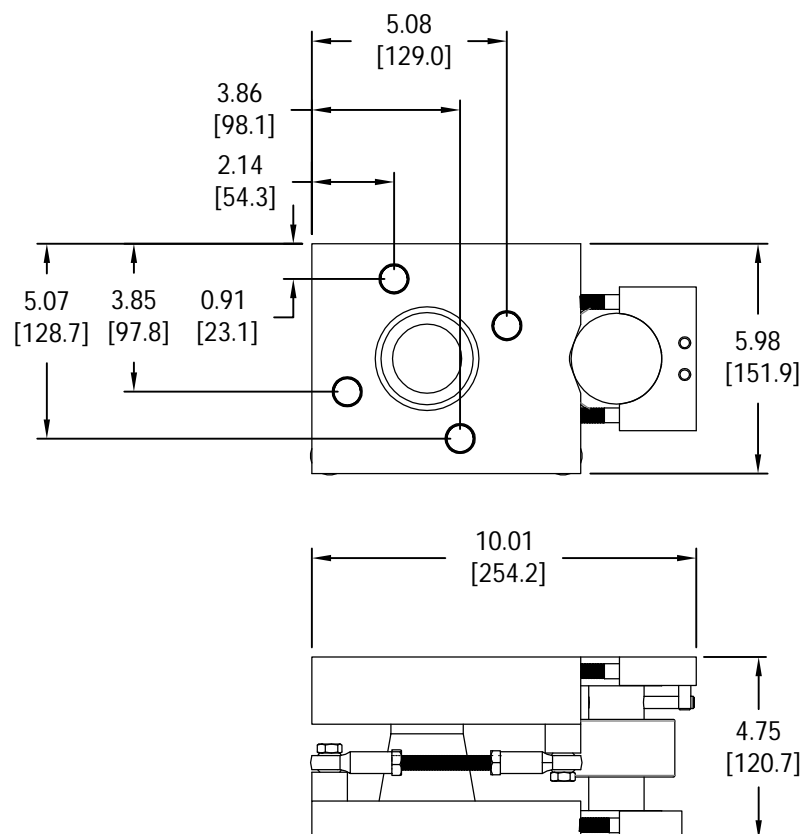
APPLICATIONS

- Tank, bin and hopper weighing, silo weighing

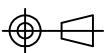
OPTIONS

- Stainless steel assembly
- Top and Bottom mounting plate

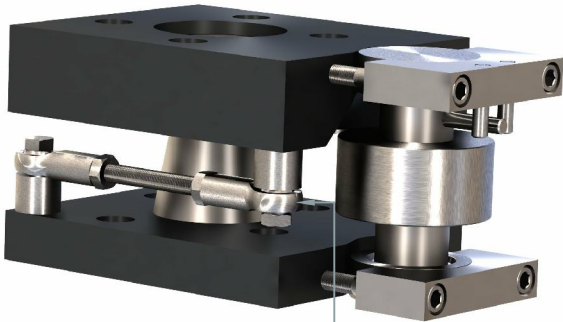
OUTLINE DIMENSIONS



Recommended mounting bolts:
Grade 8 - 3/4-10 or Grade 10.9-20 mm x 2.5 mm

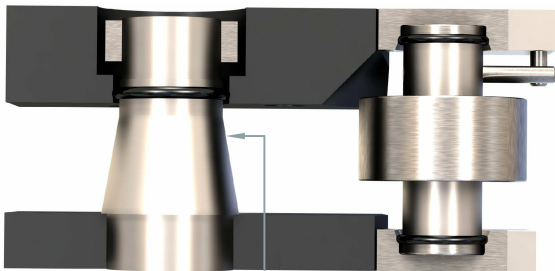


weigh module RC-WM 5000WM3



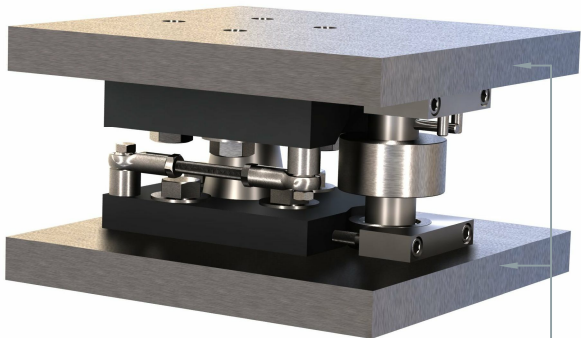
Integral check link

Section view



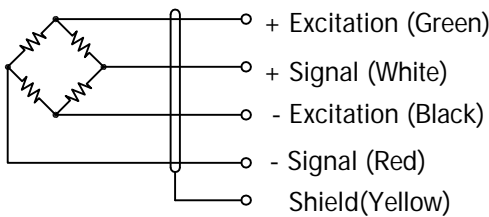
Integral uplift and side load stop

Optional mounting plates



Mounting plates

WIRING



Cable: 20 AWG, 4-conductor with shield

SPECIFICATIONS

Model	RC-WM		
Accuracy class	C3		
Capacities	ton	5/ 10/ 20/ 30/ 40/ 50	
Full scale output(FS)	mV/V	2.0±1%	
Calibration in mV/V/Ω	%	≤±0.05	
Non-linearity	%FS	≤±0.02	
Hysteresis	%FS	≤±0.02	
Creep@30min	%FS	≤±0.02	
Zero Balance	%FS	≤±5	
Temperature effect			
	Output	%FS/10°C	≤±0.01
	Zero	%FS/10°C	≤±0.0187
Temperature range			
	Compensated	°C	-10... +40
	Operating	°C	-10... +65
Terminal resistance			
	Input resistance	Ω	386±50
	Output resistance	Ω	350±5
Excitation voltage	VDC	5... 15	
Insulation resistance@50VDC	MΩ	≥5000	
Load cell ultimate load limit	%FS	200	
Weigh pod ultimate load limit	%FS	300	
Maximum uplift force	klb	80	
Maximum side force	klb	40	
Cable length	ft	30	
Seal type	IP69		
Load cell material	Stainless steel		
Assembly material	Plated steel		
Load mount weight	lb	35	

PART NUMBERS

Capacity(ton)	Part #
5	5000WM3-000-00
10	5000WM3-001-00
20	5000WM3-002-00
30	5000WM3-003-00
40	5000WM3-004-00
50	5000WM3-005-00

Dimensions and specifications subject to change without notice



Group Four Transducers
22 Deer Park Drive,
E. Longmeadow, MA 01028
www.groupfourtransducers.com

Phone : (800) 419 1444
Fax : (413) 525 -6182
sales@group-4.com