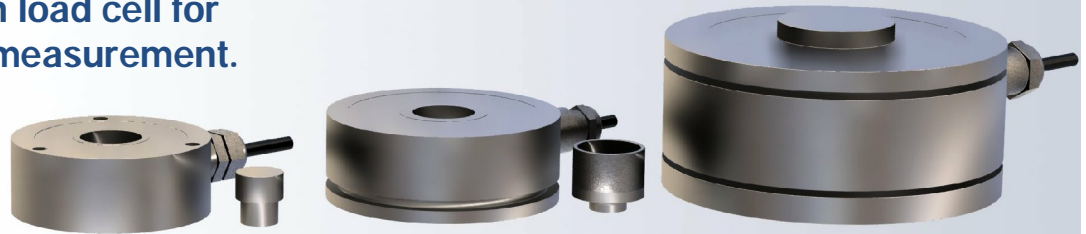


The type 5015 is a stainless steel compression load cell for force and weight measurement.



FEATURES

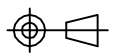
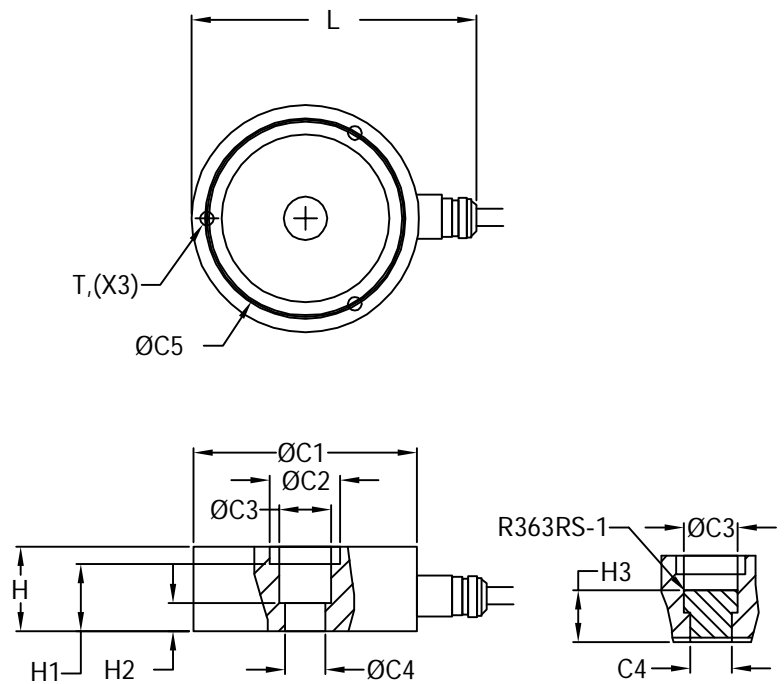
- Capacities from 2t to 60t.
- Stainless steel construction.
- Environmental Protection IP68.

APPLICATIONS

- Force and weight measurement.

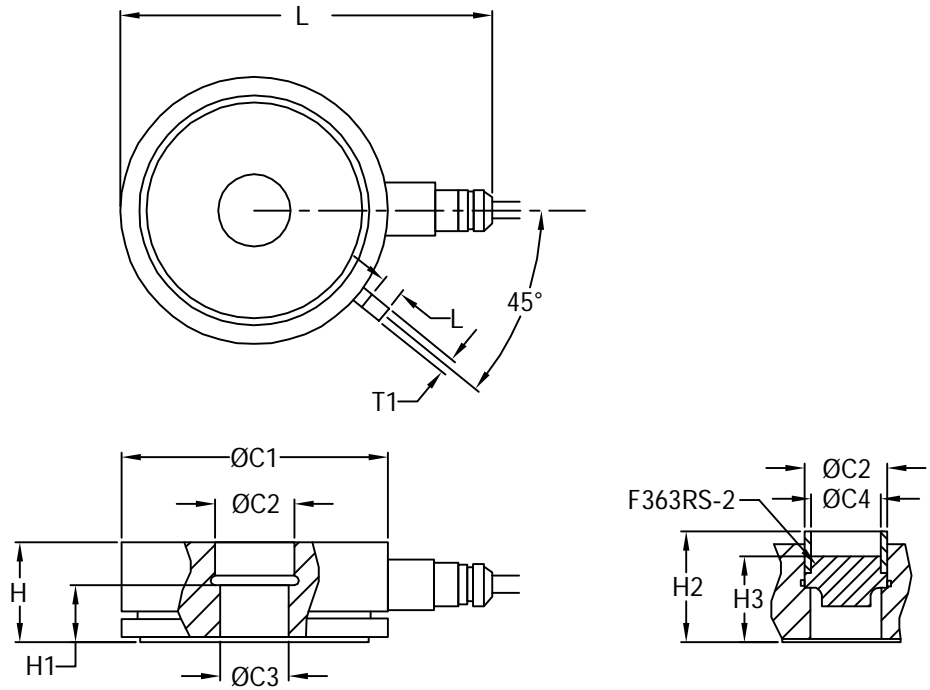
OUTLINE DIMENSIONS

2t, 3.5t :

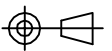
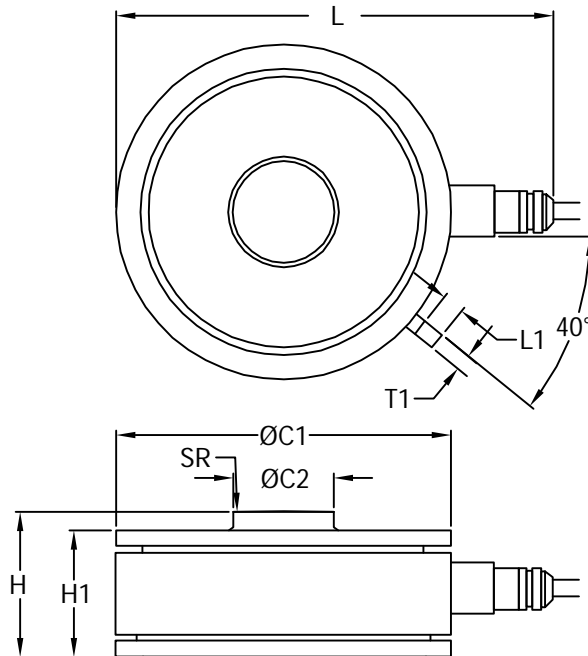


canisters and disks
5015

13t :



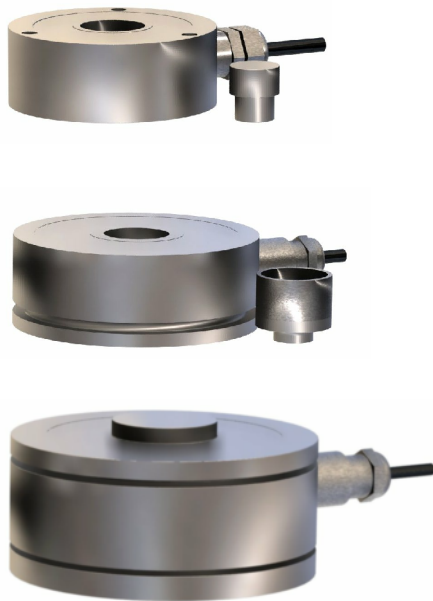
28t, 60t :



canisters and disks

5015

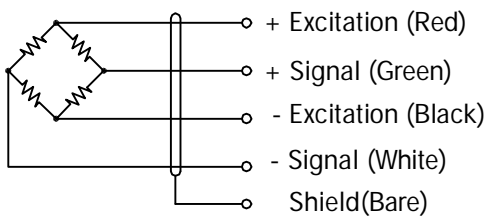
Capacity(t)	C1	C2	C3	C4	C5	H	H1	H2	H3	L	L1	SR	T	T1
2... 3.5	3.15 [80.0]	0.98 [25.0]	0.75 [19.0]	0.59 [15.0]	2.76 [70.0]	1.18 [30.0]	0.95 [24.0]	0.39 [10.0]	0.71 [18.0]	3.94 [100.0]	-	-	M6, 0.32[8.0]DP.	-
13	3.74 [95.0]	1.14 [29.0]	0.98 [25.0]	1.02 [26.0]	-	1.38 [35.0]	0.79 [20.0]	1.57 [40.0]	1.22 [31.0]	5.20 [132.0]	0.32 [8.0]	-	-	M6
28	4.72 [120.0]	1.41 [35.9]	-	-	-	2.09 [53.0]	1.81 [46.0]	-	-	6.14 [156.0]	0.32 [8.0]	15.75 [400.0]	-	M6
60	5.51 [140.0]	1.89 [47.9]	-	-	-	2.72 [69.0]	2.44 [62.0]	-	-	6.93 [176.0]	0.32 [8.0]	23.62 [600.0]	-	M6



SPECIFICATIONS

Model	5015				
Capacities	t	2/ 3.5	13	28	60
Full scale output(FS)	mV/V	2.0±0.1%			
Non-linearity	%FS	≤±0.023			
Hysteresis	%FS	≤±0.023			
Non- repeatability	%FS	≤±0.023			
Creep@30min	%FS	≤±0.03			
Zero Balance	mV/V	±0.06			
Temperature range					
Operating	°C	-10... +40			
Terminal resistance					
Input resistance	Ω	1100±100	1200±100	1075±100	1350±200
Output resistance	Ω	1025±25	1000±0.5	930±0.5	1175±0.5
Excitation voltage	V(DC/AC)	10... 36			
Insulation resistance@50VDC	MΩ	≥2000			
Safe overload limit	%FS	150			
Ultimate load	%FS	300			
Cable length	m	6 (Capacity≤ 3.5t) 15(Capacity≥13t)			
Seal type	IP68				
Element material	Stainless steel				

WIRING



Cable : Ø6.1mm dia, 4 conductor cable.

Dimensions and specifications subject to change without notice