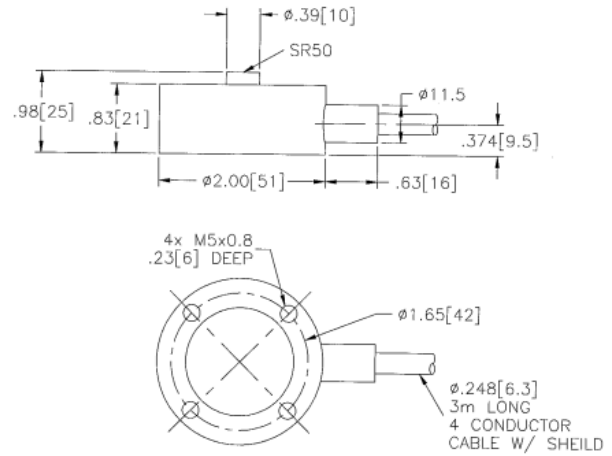


# 5018

## Aluminum



\*\* NOTE : Not all approvals are available on all models.  
Please request a certified drawing if specific approvals are required.

SPECIFICATIONS		
Rated Capacity	kgf	50,100,200,500,1000,2000-
Full Scale Output	mV/V	2.000±0.005
Zero Balance	mV/V	±0.6
Non-linearity	%	<±0.15
Repeatability	%	<±0.05
Hysteresis error	%	<±0.1
Rated Excitation	V(DC/AC)	12 or less
Nominal Temperature Range		
Compensated	°C	-10 to 70
Safe	°C	-10 to 70
Safe Overload	% of full scale	150
Terminal Resistance		
Input	Ohms	425±50
Output	Ohms	350±5

- Exc+ Red
- Sig+ Green
- Exc- Black
- Sig- White
- Shield Bare