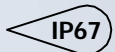
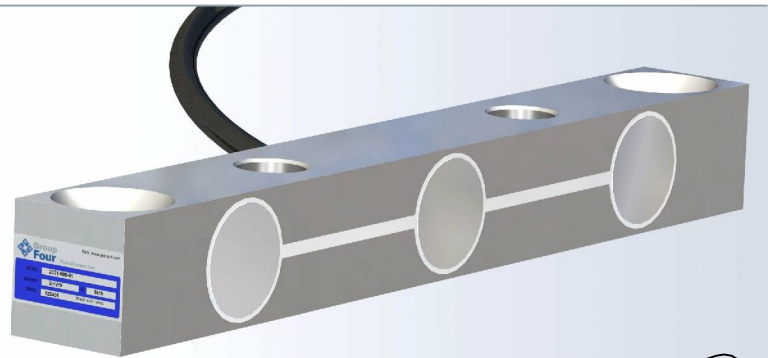


The type JSB is a stainless steel double ended beam, commonly used in general purpose weigh systems and truck scales.



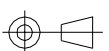
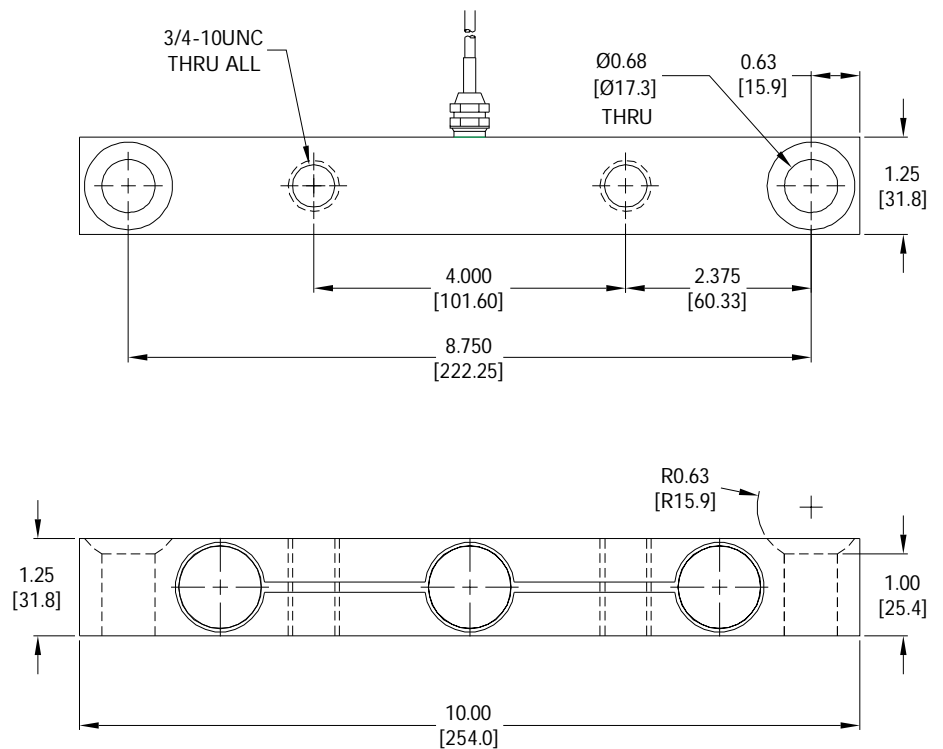
FEATURES

- Capacities from 5klb to 20klb.
- Stainless steel construction.
- Environmental protection IP67.

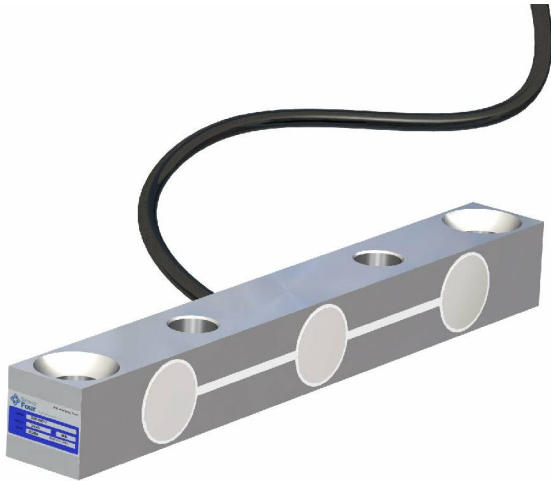
APPLICATIONS

- general purpose weigh systems and truck scales.

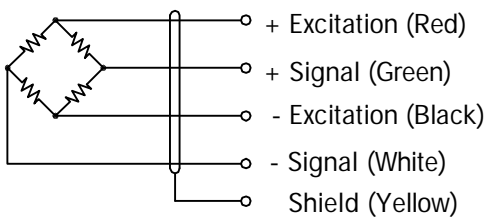
OUTLINE DIMENSIONS



double ended beam JSB 2021



WIRING



Cable : 22 AWG, 4 core, black PVC cable with shield.

SPECIFICATIONS

Model		JSB	
Capacities	klb	5/ 10/ 20	
Full scale output (FS)	mV/V	2.00±0.1%	
Combined error	%FS	≤±0.1	
Non-linearity	%FS	≤±0.05	
Hysteresis	%FS	≤±0.05	
Creep @ 30min	%FS	≤±0.03	
Zero balance	%FS	≤±5	
Temperature effect			
	Output	%FS/10°C	≤±0.04
	Zero	%FS/10°C	≤±0.04
Temperature range			
	Compensated	°C	-10... +40
	Operating	°C	-20... +65
Terminal resistance			
	Input resistance	Ω	736±30
	Output resistance	Ω	700±5
Excitation voltage	VDC	5... 15	
Insulation resistance @ 50V DC	MΩ	≥5000	
Safe overload limit	%FS	150	
Ultimate load	%FS	250	
Cable length	in	60	
Seal type	IP67		
Element material	Stainless steel		

PART NUMBERS

Capacity (klb)	Part #
5	2021-000-01
10	2021-001-01
20	2021-002-01

Dimensions and specifications subject to change without notice