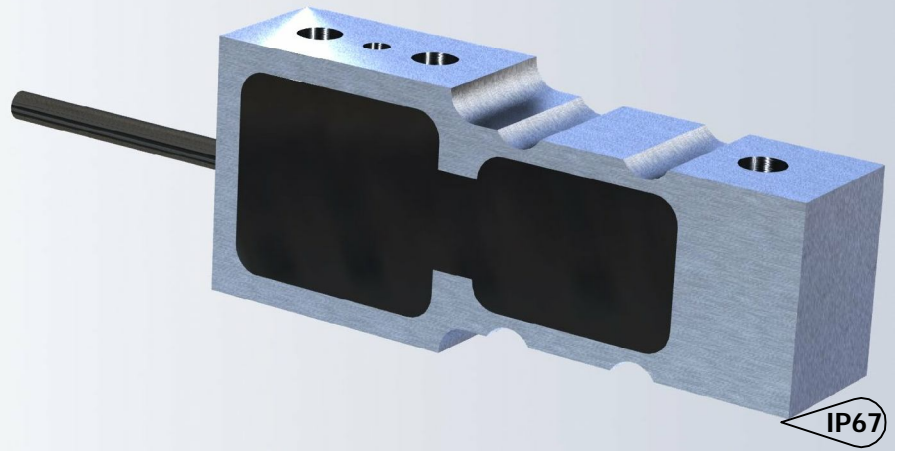


The type MBB is a aluminum beam type load cell with improved potting. It is suitable for use in industrial environments.



FEATURES

- Capacities 5lb,10lb.
- Aluminum construction.
- Environmental Protection IP67.

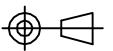
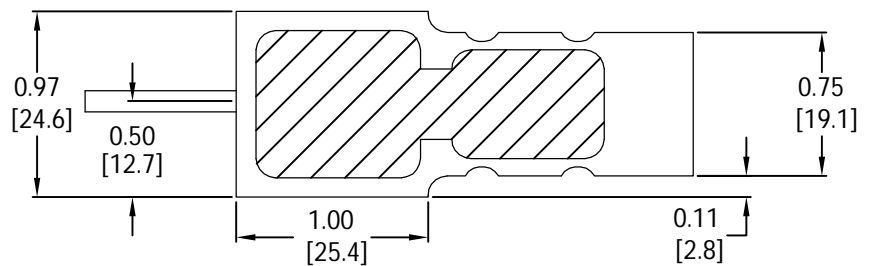
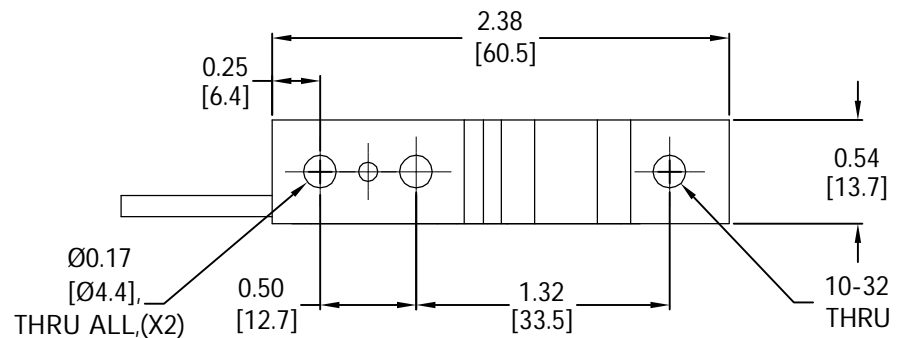
APPLICATIONS

- Platform scales, hopper and tank scales.

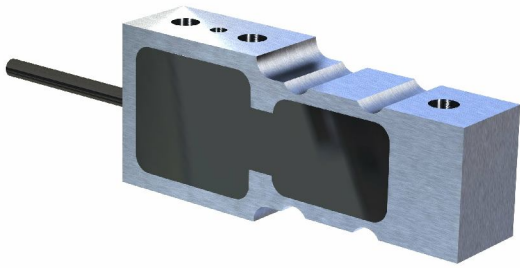
OPTIONS

- mV/V/ Ω Calibration for applications with multiple loadcells.

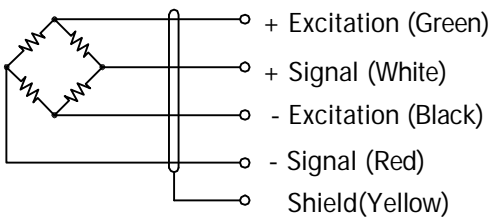
OUTLINE DIMENSIONS



bending beam
MBB
8004



WIRING



Cable : 28 AWG, 4 -Conductor cable with shield

SPECIFICATIONS

Model	MBB		
Capacities	lbs	5/ 10	
Full scale output(FS)	mV/V	3±10%	
Non-linearity	%FS	≤±0.03	
Hysteresis	%FS	≤±0.02	
Temperature range			
	Operating	°C	-10...+40
Excitation voltage	VDC	10...15	
Insulation resistance@50VDC	MΩ	≥1000	
Safe overload limit	%FS	150	
Cable length	in	7.25	
Seal type	IP67		
Element material	Aluminum		

PART NUMBERS

Capacities(lbs)	Part #
5	8004-001-01
10	8004-002-01