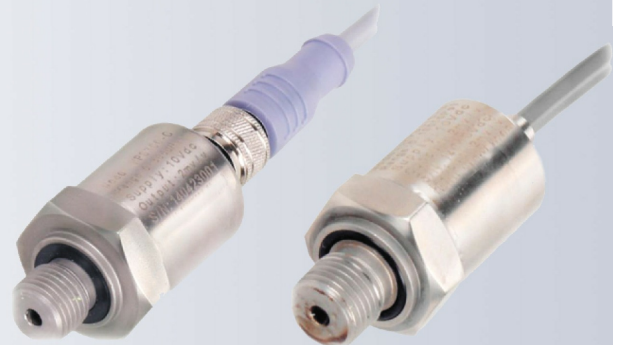


The type G300 is a Strain Gage Pressure Sensor.



FEATURES

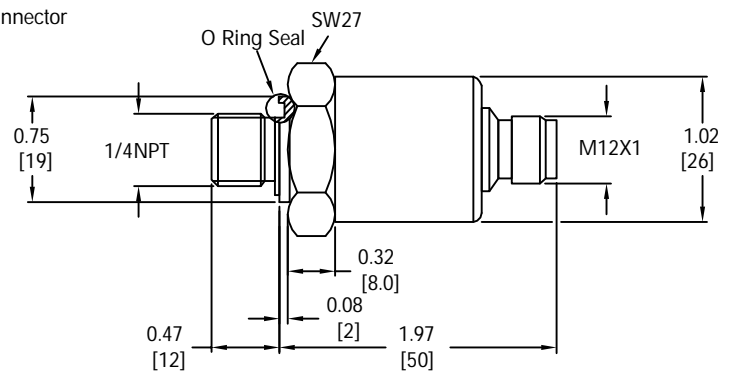
- Accuracy: $\leq \pm 0.5\% \text{F.S.}$
- Wide working temperature scope
- Temperature compensated.
- Excellent overload, Shock and erosion.
- Anti corrosive diaphragm and port.
- Economic design
- 1.5 times range standard overload.
- 3 times range burst pressure

APPLICATIONS

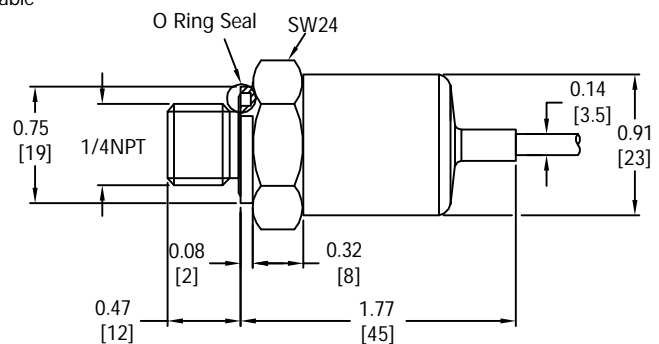
- Refrigeration and Air Compressor,
- Hydraulic pressure controller,
- Petrochemical industry,
- Air-conditioner production line testing,
- Pressure meter, Laboratory equipment,
- Water pressure measurement,
- Liquid and Gas pressure measurement.

OUTLINE DIMENSIONS

M12 Connector



Directly Cable



Note : Any process connection can be outfitted with any electrical connection.

pressure transducer G300



SPECIFICATIONS

Pressure type	Gauge	
Pressure range	bar(psi)	0... 10... 2000 (0...145, ...30000)
Overload	%FS	150
Burst pressure	%FS	300
Power supply	VDC	10 or 5
Output	mV/V	2, 3, 3.3 (optional)
Electronic wire	4 wire	
Accuracy(Included Linearity,Hysteresis,Repeatability)	%FS	$\leq \pm 0.5$ (Nominal), $\leq \pm 0.25$ (Pressure ≥ 100 kPa)
Long term stability	%FS/ Year	0.15 (0.2 max)
Zero temp drift	%FS/°C	$\leq \pm 0.03$ (≤ 100 kPa) $\leq \pm 0.05$ (> 100 kPa)
FS temp drift	%FS/°C	$\leq \pm 0.03$ (≤ 100 kPa) $\leq \pm 0.05$ (> 100 kPa)
Temperature compensation	°C	0...50
Working temperature	°C	-30... +80
Storage temperature	°C	-40... +125
Insulation resistance @ 50V DC	MΩ	>100
Medium compatible	Various media compatible with the stainless steel 304/316	
Electrical connection	M12 Connector; Twist Lock 4 Pin Connector (IP65); Directly Cable IP65 (optional)	
Process connect port	7/16" -20UNF, 1/4"NPT Male, 1/2"NPT Male (optional)	
Response time	≤ 10 ms	
EMC Standard	Electromagnetic radiation:EN50081-1/-2 Electromagnetic susceptibility:EN50082-2	
Water Proof Grade	IP65 to IP68 by model	

ELECTRICAL CONNECTION

Power supply +	Red/ Brown
Power supply -	Black/ Yellow
Signal output +	Blue
Signal output -	white
Ground wire & Shielded wire	Big black wire

Note : Mating connector cable and direct cable length is 2 meters (Optional).

pressure transducer
G300

PART NUMBER SELECTION

#	Description	Capacity	Unit	Pressure Type	Pressure Connection	Output	Electrical Connection	Variation
Series	P							
Capacity	Capacity	XXXX						
Unit	psi		P					
Pressure Type	Gage			G				
Pressure Connection	NPT 1/4 Male				01			
	NPT 1/2 Male				03			
	7/16-20UNF Male				02			
	By Customized				XX			
Output	mV/V					A		
Electrical Connection	Cable						00	
	M12 Connection						01	
	Twist Lock						05	
Variation	1 digit for Variation							X

Dimensions and specifications subject to change without notice



Group Four Transducers
 22 Deer Park Drive,
 E. Longmeadow, MA 01028
 www.groupfourtransducers.com

Phone : (800) 419 1444
 Fax : (413) 525 -6182
 sales@group-4.com