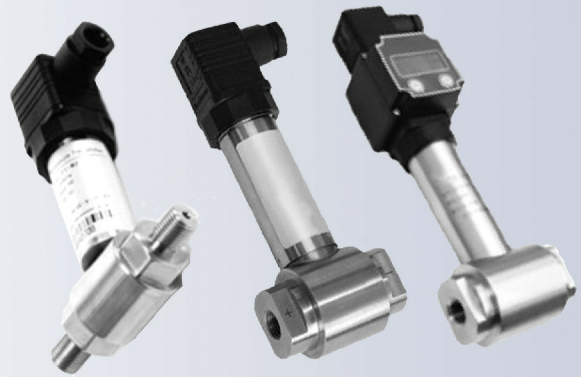


The type G700 is a Silicone Differential Pressure Sensor with 316 L diaphragm.



FEATURES

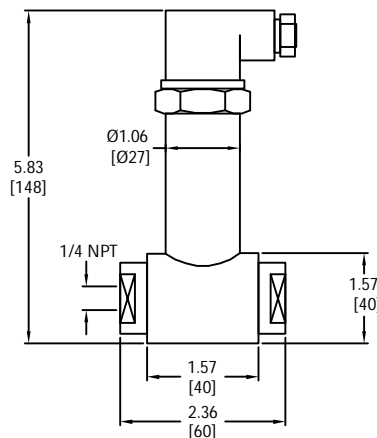
- Accuracy: $\leq \pm 1\%F.S.$
- Wide working temperature scope
- Advanced digital temperature compensation.
- Excellent resistance against impact, overload, Shock and erosion.
- Highly static pressure overload
- Highly strong RFI & EMI resistance
- Impact resistance and disturbance
- 1.5 times range standard overload.
- 3 times range burst pressure

APPLICATIONS

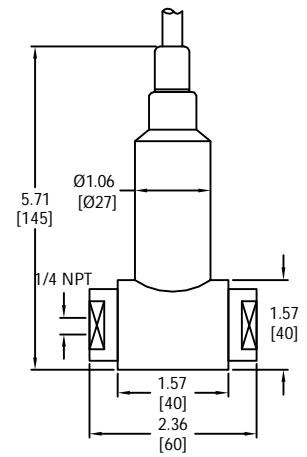
- Industrial course testing and control
- Level measurement and control
- Service to Oxygen, CO₂, Nitrogen
- Petrochemical industry
- Storage and fuel, Oil, Water Tank applications
- Pump station and water treatment system
- Laboratory equipment
- Industrial machinery manufacture
- Automatic detection system

OUTLINE DIMENSIONS

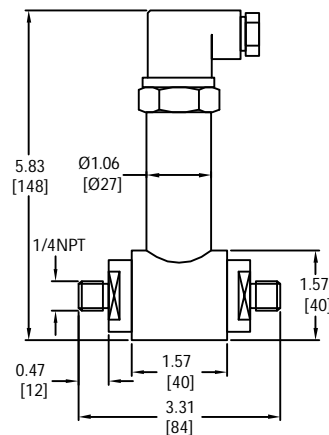
1/4"-18NPT Female, DIN43650



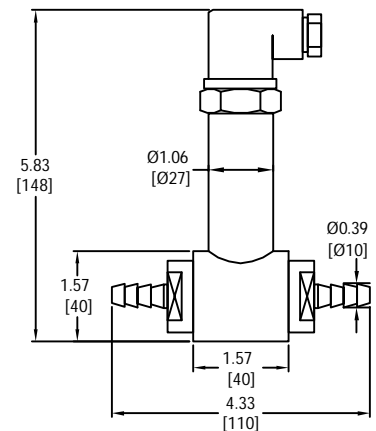
1/4"-18NPT Female, Fixed cable



1/4"-18NPT Male, DIN43650



Ø10gas mouth, DIN43650



Note : Any process connection can be outfitted with any electrical connection.

pressure transducer G700

SPECIFICATIONS

Pressure type	Differential pressure (Gauge type)						
Pressure range	kPa	10~50	51~100	101~200	201~500	501~1000	1000~2000
High port overload	kPa	30...100	100...150	200...350	400...1000	1000...2000	2000...3500
Low port overload	kPa	20...50	50...100	150...300	300...750	750...1500	1500...2500
Max static pressure	kPa	100...500	500...2000	2000...3000	2500...3000	4000...5000	5000...10000
Electronic wire	2 Wires		3 Wires		3 Wires		4 wires
Output	4~20mA analog signal		0~5V analog signal		0~10 V analog signal		RS485 MODBUS (digital signal)
Power Supply	12~36Vdc (Typical:24 V DC)		9~36Vdc (Typical:24 V DC)		15~36Vdc (Typical:24 V DC)		10-30Vdc (Typical:24 V DC)
Accuracy (Included linearity,Hysteresis,Repeatability)	%FS	$\leq \pm 1$ (Nominal), $\leq \pm 0.5$ (3000kPa \geq Pressure \geq 100kPa)					
Long term stability	%FS/ Year	0.1 (0.2 max)					
Zero temp drift	%FS/°C	$\leq \pm 0.02$					
FS temp drift	%FS/°C	$\leq \pm 0.02$					
Ambient temp span	°C	-10...+60					
Medium temp span	°C	-20...+80					
Temperature compensation	°C	-10...+60					
Storage temperature	°C	-30... +85					
Load resistance	(U-10)/0.02(Ω)	$> 100k\Omega$					
Insulate resistance @100V	M Ω	$> 100M \Omega$					
Medium compatible	Various media compatible with the stainless steel 316						
Electrical connection	Fixed cable and water proof IP67 ; Terminal Box DIN43650 IP65						
Process connect port	1/4"-18NPT Female hose connection; G1/4" Male; G1/2" Male; RG= \varnothing 8/ \varnothing 10gas mouth (optional)						
Response time	$\leq 10ms$						
EMC Standard	Electromagnetic radiation:EN50081-1/-2, Electromagnetic susceptibility:EN50082-2						
Water Proof	IP65 to IP68 optional by model						

ELECTRICAL CONNECTION



Connection	2 wire (4-20 mA)	3 Wire (0-5V, 0-10V, 0.5-4.5V)
Power supply +	Red	Red
Power supply -	NA	Green
Signal output +	Yellow	Yellow
Signal output -	NA	Green
Ground wire & Shielded wire	reminder wire	reminder wire

Note : Mating connector cable and direct cable length is 2 meters (Optional).

Group Four Transducers

22 Deer Park Drive,
E. Longmeadow, MA 01028
www.groupfourtransducers.com

Phone : (800) 419 1444
Fax : (413) 525 -6182
sales@group-4.com

pressure transducer
G700

PART NUMBER SELECTION

#	Description	Capacity	Unit	Pressure Type	Pressure Connection	Output	Electrical Connection	Variation
Series	P							
Capacity	Capacity	XXXX						
Unit	psi		P					
Pressure Type	Gage			G				
Pressure Connection	NPT 1/4 Female				XX			
	NPT 1/4 Male				XX			
	G 1/4 Male				XX			
	G 1/2 Male				XX			
	Gas mouth				XX			
	By Customized				XX			
Output	4-20mA					X		
	V					X		
	RS485 MODBUS RTU (4 wire)					X		
Electrical Connection	Cable						00	
	M12 Connection						01	
	Twist Lock						05	
Variation	1 digit for Variation							X

Dimensions and specifications subject to change without notice



Group Four Transducers
 22 Deer Park Drive,
 E. Longmeadow, MA 01028
 www.groupfourtransducers.com

Phone : (800) 419 1444
 Fax : (413) 525 -6182
 sales@group-4.com