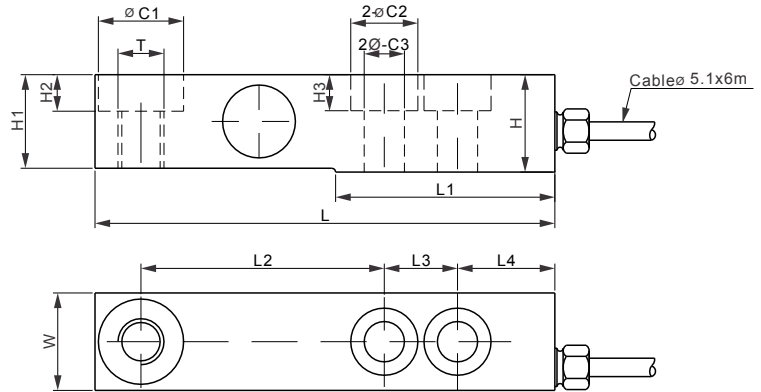


# 1008

## Stainless Steel

SINGLE ENDED BEAMS



\*\* NOTE : Not all approvals are available on all models. Please request a certified drawing if specific approvals are required.

### DIMENSIONS

RATED CAPACITY	C1	C2	C3	H	H1	H2	H3	L	L1	L2	L3	L4	W	T
<b>lb/inches</b>														
500; 1,000; 2,500	0.88	0.69	0.41	1.00	0.96	0.59	0.37	4.72	2.25	2.50	0.75	1.00	1.00	M12X1.75
<b>kg/mm</b> (conversion of above dimensions)														
226.8; 453.6; 1,134.0	22.2	17.5	10.5	25.4	24.4	14.9	9.4	120.0	57.2	63.5	19.1	25.4	25.4	M12X1.75

### SPECIFICATIONS

Rated Capacity	lb	500; 1K; 2.5K
Weight (G), approx.	kg/lb	0.7 / 1.6
Full Scale Output	mV/V	1.85 ~ 1.9
Zero Balance	mV/V	±0.06
Non-linearity	%	<±0.023
Repeatability	%	<±0.023
Hysteresis Error	%	<±0.023
Creep in 30 min.	%	<±0.030
Bridge Resistance	Ω	350±7
Rated Excitation	V(DC/AC)	10 (15V Maximum)
Insulation Resistance	GΩ	>2[50 VDC]
Nominal Temperature Range	°C/°F	-10 to 40 / 14 to 104
Safe Overload	% of full scale	150
Breaking Overload	% of full scale	300
Seal Type		Glue-sealed, IP67

- Exc+ Red
- Sig+ Green
- Exc- Black
- Sig- White
- Shield Bare

### AVAILABLE OPTIONS

Service temperature range up to 120°C[248°F]  
6-wire circuit  
Alloy steel construction

### INTERCHANGEABLE PRODUCTS

<b>Manufacturer</b>	<b>Model</b>
Cardinal.....	LFB