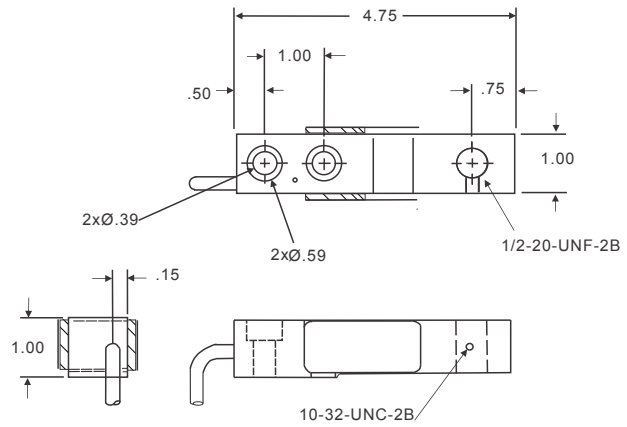




\*\* NOTE : Not all approvals are available on all models. Please request a certified drawing if specific approvals are required.



SPECIFICATIONS		
Rated Capacity	lb	100,150,200,500,750
Full Scale Output	mV/V	3.0
Zero Balance	mV/V	±.10
Non-linearity	%	<±0.03
Hysteresis	%	<±0.02
Creep in 30 min.	%	<±0.06
Bridge Resistance	Ω	350
Rated Excitation	%	5(15V Maximum)
Insulation Resistance	GΩ	>5[100 VDC]
Nominal Temperature Range	°C/°F	-20 to +65/-4 to 149
Safe Overload	% of full scale	100
Breaking Overload	% of full scale	300
Seal Type		Environmentally-sealed, IP67
Cable Length	Feet	10

- Exc+ Green
- Sig+ White
- Exc- Black
- Sig- Red
- Shield Bare