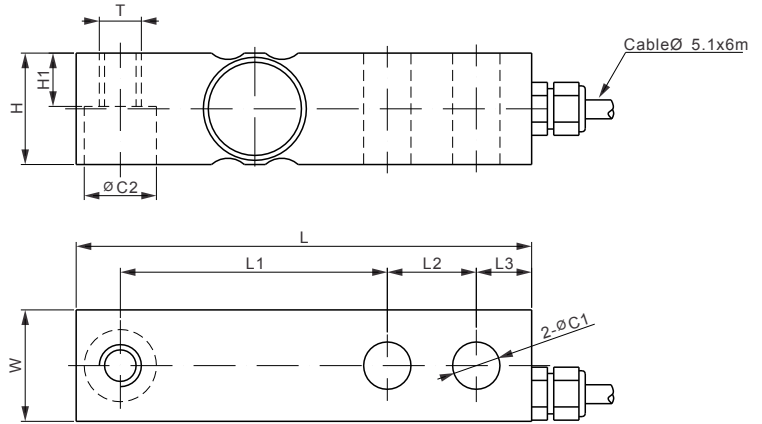


1022

Aluminum

SINGLE ENDED BEAMS



** NOTE : Not all approvals are available on all models. Please request a certified drawing if specific approvals are required.

DIMENSIONS

RATED CAPACITY	C1	C2	H	H1	L	L1	L2	L3	T	W
lb/inches										
300	0.53	0.81	1.25	0.60	5.12	3.00	1.00	0.62	1/2-20 UNF-2B	1.25
kg/mm (conversion of above dimensions)										
136.1	13.5	20.6	31.8	15.2	130	76.2	25.4	15.8	1/2-20 UNF-2B	31.8

SPECIFICATIONS

Rated Capacity	lb	300	
Weight (G), approx.	kg/lb	0.6 / 1.3	
Full Scale Output	mV/V	3.0±0.25%	
Zero Balance	mV/V	±0.06	
Non-linearity	%	<±0.017	
Repeatability	%	<±0.017	
Hysteresis Error	%	<±0.017	
Creep in 30 min.	%	<±0.023	
Bridge Resistance	Ω	350±7	
Rated Excitation	V(DC/AC)	10 (15V Maximum)	
Insulation Resistance	G Ω	>2[50 VDC]	
Nominal Temperature Range	$^{\circ}C/^{\circ}F$	-10 to 40 / 14 to 104	
Safe Overload	% of full scale	150	
Breaking Overload	% of full scale	300	
Seal Type		Environmentally-sealed, IP67	

AVAILABLE OPTIONS

Service temperature range up to 120°C [248°F]
Through mounting hole
6-wire circuit

INTERCHANGEABLE PRODUCTS

Manufacturer	Model
Group Four.....	G4-C2G1-A
Vishay Tedea-Huntleigh	3310*

* 1022 is interchangeable with Vishay Tedea-Huntleigh 3310 imperial thread option.