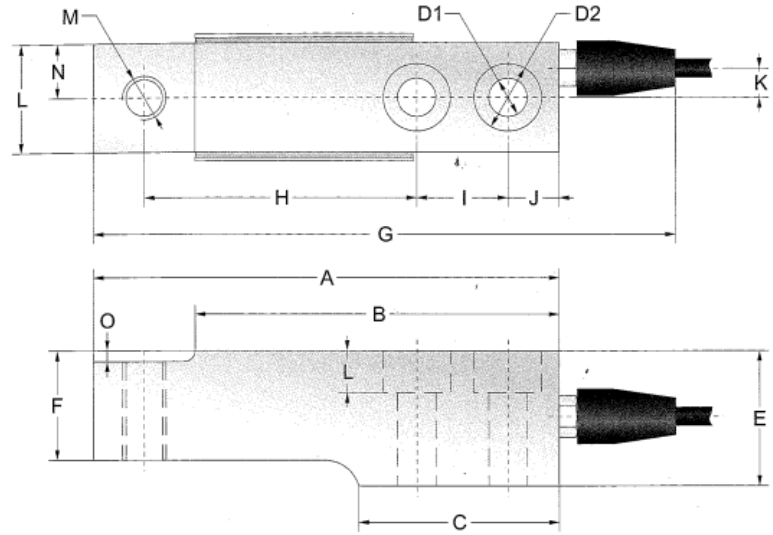


\*\* NOTE : Not all approvals are available on all models. Please request a certified drawing if specific approvals are required.



SINGLE ENDED BEAMS

**RATED CAPACITY**

	A	B	C	E	F	G	H	I	J	K	L	N	O	D1	D2	M
<b>lb/inches</b>																
110.23-661.38	5.04	3.94	2.16	1.46	1.18	6.30	2.95	0.98	0.55	0.31	1.18	6.30	2.95	2xØ 10.5	2xØ 18.5	M12
1102.31-2204.62	5.04	3.94	2.16	1.46	1.26	6.30	2.95	0.98	0.55	0.31	1.18	6.30	2.95	2xØ 10.5	2xØ 18.5	M12
<b>kg/mm</b> (conversion of above dimensions)																
50-300	128	100	55	37	30	160	75	25	14	8	30	15	3	2xØ 10.5	2xØ 18.5	M12
500-1000	128	100	55	37	32	160	75	25	14	8	30	15	3	2xØ 10.5	2xØ 18.5	M12

SPECIFICATIONS		
Rated Capacity	kg	50, 100, 150, 200, 250, 300, 500, 600, 750, 1000
Full Scale Output	mV/V	2.0
Hysteresis	%FS	+0.03
Nonlinearity	%FS	+0.03
Creep 30 Min	%FS	+0.03
Rated Excitation	V(DC/AC)	10
Insulation Resistance	MΩ	5000
Safe Overload	% FS	150
Maximum Excitation	V(DC/AC)	15
Cable Length	m	2.75

- Exc+ Red
- Sig+ Green
- Exc- Black
- Sig- White
- Shield Bare