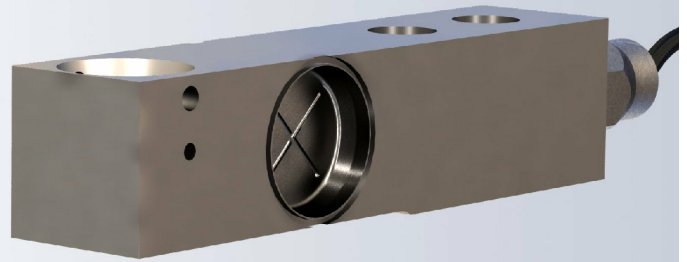


The RB14 is a Stainless Steel Single Ended Shear Beam. Ideal for use in Floor Scales and Tank Weighing Systems.



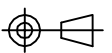
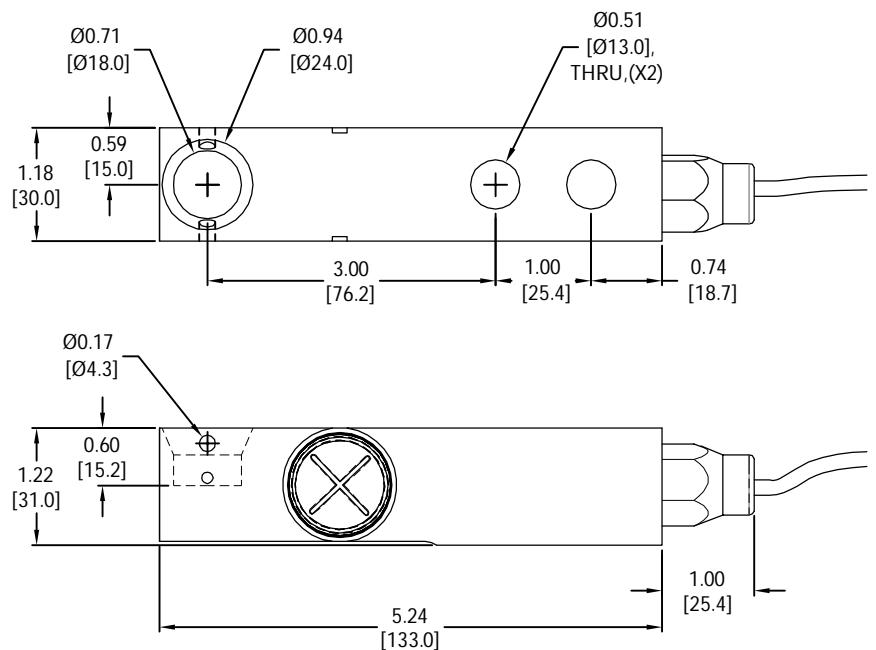
### FEATURES

- Capacity Range: 0.5 to 5 klb.
- Blind Hole Load Introduction.
- Environmental Protection IP69.
- A Special Low Profile Foot is Available.

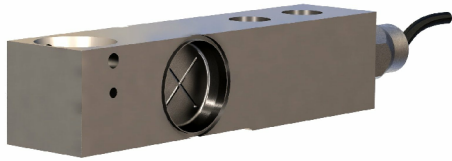
### APPLICATIONS

- Platform Scales, Tank Weighing Systems.

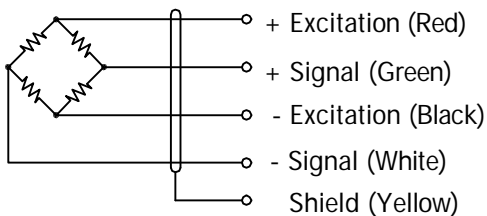
### OUTLINE DIMENSIONS



# single ended shear beam RB14 1032



## WIRING



Cable : 24 AWG, 4-Conductor PU Cable.

## SPECIFICATIONS

Model	1032		
Accuracy Class	C3		
Capacities	klb	0.5/ 1/ 2.5/ 5	
Full Scale Output (FS)	mV/V	2.0±0.002	
Calibration in mV/V/Ω	%	≤±0.05	
Combined Error	%FS	≤±0.03	
Non-Linearity	%FS	≤±0.017	
Hysteresis	%FS	≤±0.017	
Creep @ 30min	%FS	≤±0.017	
Zero Balance	%FS	≤±5	
Temperature Effect			
	Output	%FS/10°C	≤±0.02
	Zero	%FS/10°C	≤±0.04
Temperature Range			
	Compensated	°C	-10... +40
	Operating	°C	-40... +80
Terminal Resistance			
	Input Resistance	Ω	1100±10
	Output Resistance	Ω	1000±2
Excitation Voltage	VDC	5... 15	
Insulation Resistance @ 50V DC	MΩ	≥5000	
Safe Overload Limit	%FS	200	
Ultimate Load	%FS	300	
Safe Side Load	%FS	100	
Cable Length	m	3	
Seal Type	IP69		
Element Material	Stainless Steel		

## PART NUMBERS

Capacity (klb)	Part #
0.5	1032-000-05
1	1032-001-05
2.5	1032-002-05
5	1032-003-05

Dimensions and specifications subject to change without notice