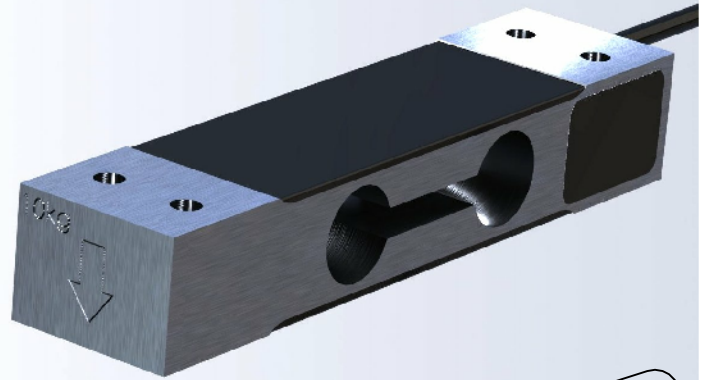


Aluminum single point load cell ideal for use in small bench scales, medical scales, light capacity filling machines and packaging machines.



**FEATURES**

- Capacities from 3 kg to 60 kg.
- Aluminum construction.
- Environmental Protection IP67.
- Low profile design.

**APPLICATIONS**

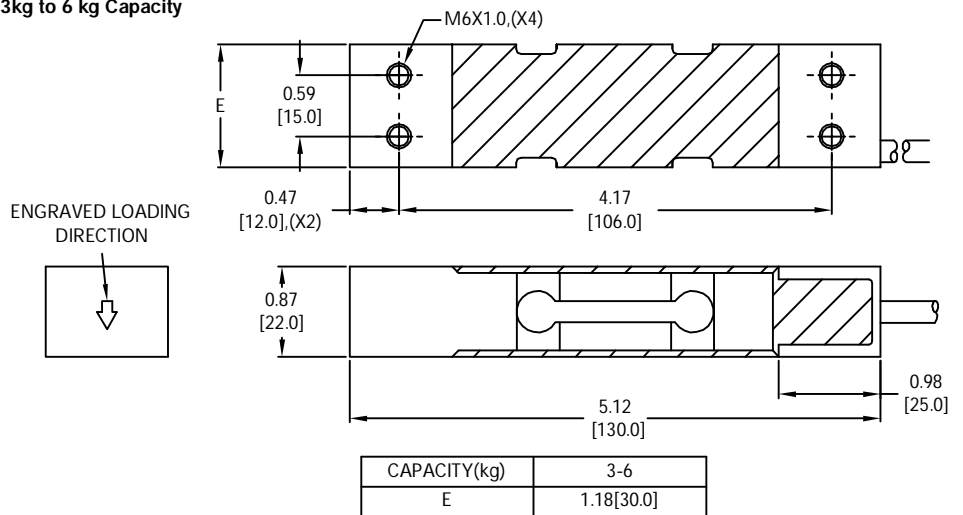
- Retail scales, bench scales ,baby scales, packaging and filling machines.

**OPTIONS**

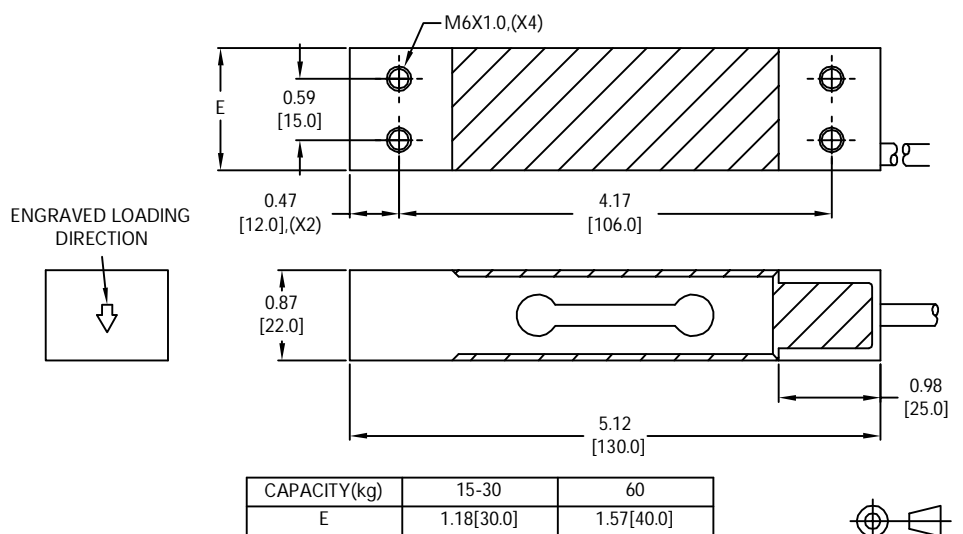
- 4066 : Stainless steel construction.
- Optional outputs available:
  - 0-10V (Voltage).
  - 4-20mA (Current).
  - RS485 (Communication).

**OUTLINE DIMENSIONS**

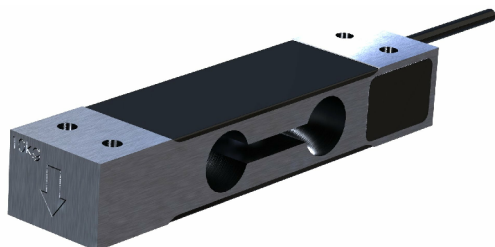
**3kg to 6 kg Capacity**



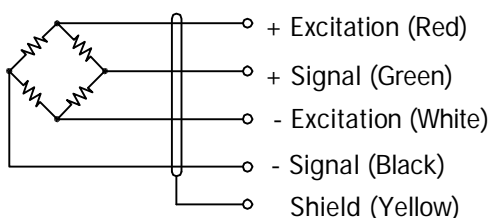
**10kg to 60 kg Capacity**



# single point SP2 4002



## WIRING



Cable : 28 AWG, 4 Conductor cable.

## SPECIFICATIONS

Model	4002		
Accuracy class	C3		
Capacities	kg	3/ 6/ 15/ 30/ 60	
Full scale output (FS)	mV/V	2±10%	
Calibration in (mV/V/Ω)	%	≤0.05	
Non-linearity	%FS	≤±0.017	
Hysteresis	%FS	≤±0.017	
Creep @ 30min	%FS	≤±0.02	
OCLS			
	Max platform size	in	11.8X11.8
	Max off-center distance	mm	4.2
	OCLS Error	%FS (at 1/3 RL)	≤±0.02
Zero balance	%FS	≤±5	
Temperature effect			
	Output	%FS/10°C	≤±0.012
	Zero	%FS/10°C	≤±0.04
Temperature range			
	Compensated	°C	-10... +40
	Operating	°C	-20... +40
Terminal resistance			
	Input resistance	Ω	386±50
	Output resistance	Ω	350±5
Excitation voltage	VDC	10... 15	
Insulation resistance @ 50V DC	MΩ	≥5000	
Safe overload limit	%FS	150	
Ultimate load	%FS	200	
Cable length	in	34 +0.01/ -0	
Seal type	IP67		
Element material	Aluminum-Anodized		

Note : OCLS - Off Center Load Sensitivity.

## PART NUMBERS

Capacity(kg)	Part #
3	4002-000-20
6	4002-001-20
15	4002-002-20
30	4002-004-20
60	4002-008-20

Dimensions and specifications subject to change without notice