

The 4037 is a mainstay of the weigh belt feeder application. The stainless steel construction and extra cover make this single point especially resilient in outdoor and hostile environments. The capacities offered are from 50 lb. up to 500 lb. This cell is also commonly found in filling machines and bench scales.



FEATURES

- Capacities 50lb, 100lb, 250lb & 500lb.
- Stainless steel construction.
- Environmental protection IP65.

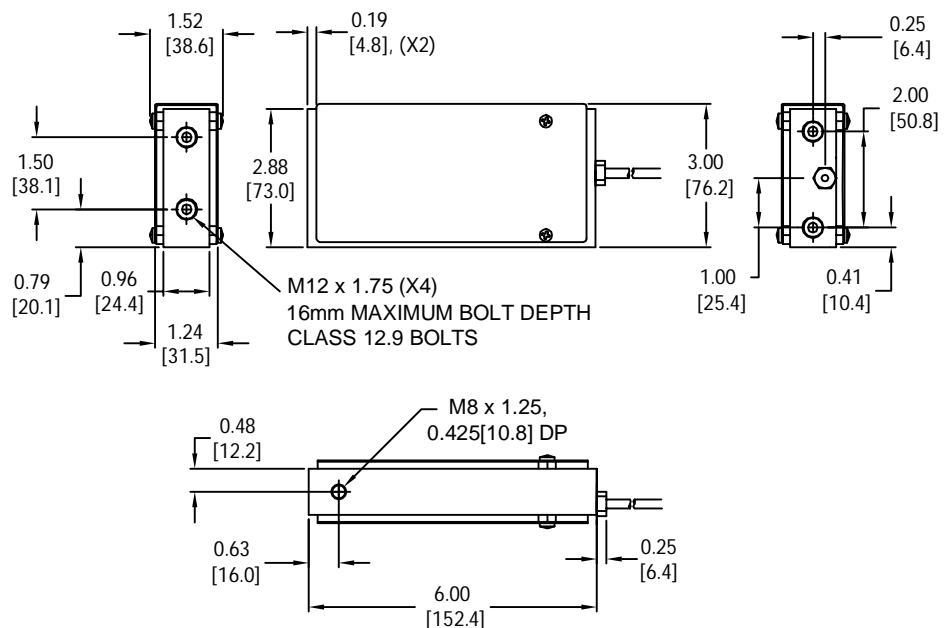
APPLICATIONS

- Platform scales, conveyor scales, bench and counting scales, weigh feeders and filling machines.

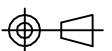
OPTIONS

- Plated tool steel construction.
- Load cell with M12 connector.

OUTLINE DIMENSIONS



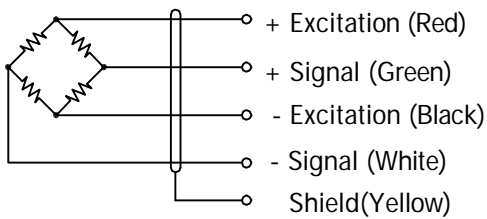
NOTE : COSMETIC FINISH: BEAD BLAST FINISH.
STAINLESS STEEL COVER, 2B MILL FINISH - FREE OF SCRATCHES.



single point 4037



WIRING



Cable : 22 AWG, 4 Conductor polyurethane black cable.

SPECIFICATIONS

Model	4037		
Capacities	lb	50/ 100/ 250/ 500	
Full scale output(FS)	mV/V	2.0±10%	
Non-linearity	%FS	≤±0.03	
Hysteresis	%FS	≤±0.05	
Non- repeatability	%FS	≤±0.03	
Creep@30min	%FS	≤±0.03	
Zero Balance	%FS	≤±2.0	
Temperature range			
	Compensated	°C	-10... +40
	Operating	°C	-20... +60
Terminal resistance			
	Input resistance	Ω	450±100
	Output resistance	Ω	350±5
Excitation voltage	VDC	10... 15	
Insulation resistance@50VDC	MΩ	≥3000	
Safe overload limit	%FS	100	
Ultimate load	%FS	300	
Cable length	ft	10	
Seal type	IP65		
Element material	Stainless steel		
Bolt torque	Nm	165	

Dimensions and specifications subject to change without notice