

This specialty load cell is offered in 15 lb. and 25 lb. weighing capacity. Constructed from stainless steel, this load cell is commonly found in check weighing applications in food and chemical processing facilities because it is suitable for a wash down environment.



FEATURES

- Capacities 15lb and 25lb.
- Stainless steel construction.
- Environmental protection IP67.

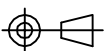
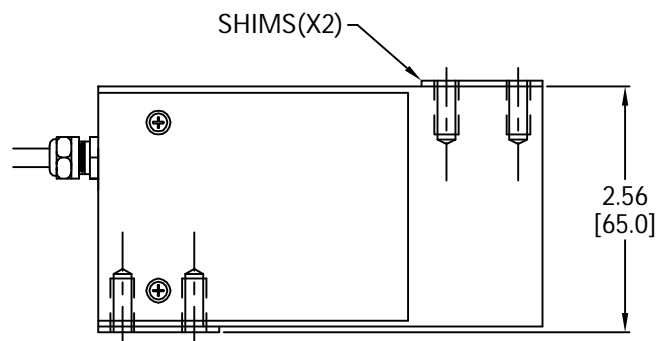
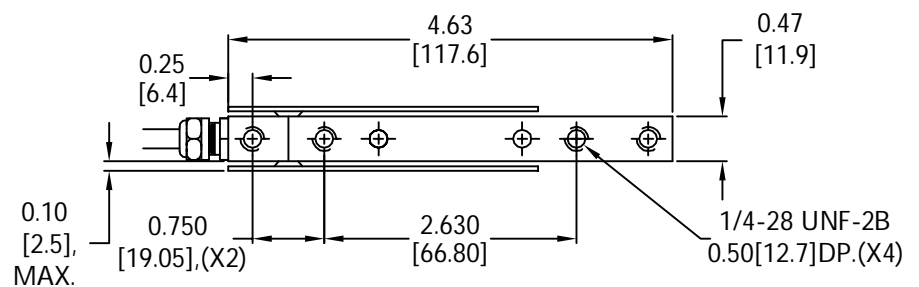
APPLICATIONS

- Single point platform scales, belt conveyor scales, bench and counting scales, small hopper scales and netweighing, checkweighing scales.

OPTIONS

- Plated steel construction.
- mV/V/ Ω calibration.

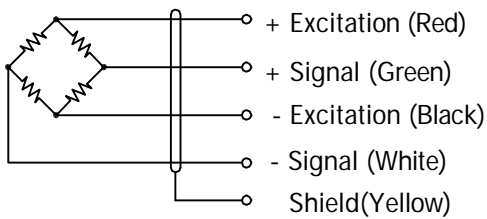
OUTLINE DIMENSIONS



single point 4045



WIRING



Cable : 22AWG, 4-Conductor cable.

SPECIFICATIONS

Model	4045		
Capacities	lb	15/ 25	
Full scale output(FS)	mV/V	2.0±0.25%	
Non-linearity	%FS	≤±0.03	
Hysteresis	%FS	≤±0.02	
Non- repeatability	%FS	≤±0.01	
Creep@30min	%FS	≤±0.03	
OCLS			
	Max.offcenter distance	in	4.0
	OCLS error	mV/V	15lb:≤±0.0004@5lb 25lb:≤±0.0003@10lb
Zero Balance	%FS	≤±1	
Temperature effect			
	Output	%LOAD/°F	≤±0.0008
	Zero	%FS/°F	≤±0.0015
Terminal resistance			
	Input resistance	Ω	386±10
	Output resistance	Ω	350±5
Excitation voltage	VDC	10... 15	
Insulation resistance@50VDC	MΩ	≥5000	
Safe overload limit	%FS	150	
Cable length	ft	10	
Deflection at capacity	in[mm]	0.010[0.25]	
Seal type	IP67		
Element material	Stainless steel		

Dimensions and specifications subject to change without notice