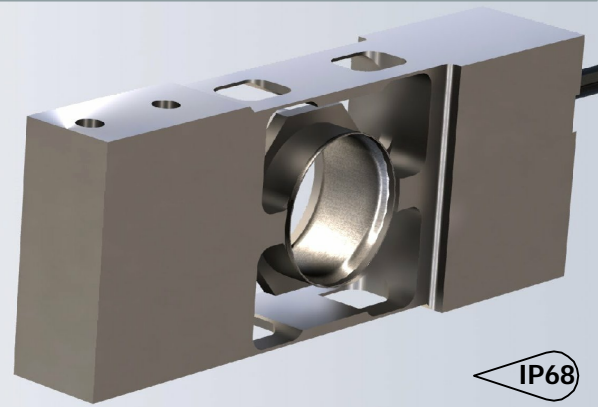


The 4046 is a stainless steel single point load cell with a true hermetic seal. Welded covers and a hermetic header make this cell impenetrable by water and moisture. Capacities offered are from 25 lb to 200 lb. If you are washing down your scales every day, this load cell is the right one for your bench scale, packaging machine, and/or filling machine.



### FEATURES

- Capacities 25lb, 50lb, 100lb, 200lb.
- Stainless steel construction.
- Environmental Protection IP68.

### APPLICATIONS

- Bench and floor scales, Conveyor scales, Check weighers, Packaging machines and Industrial process control.

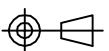
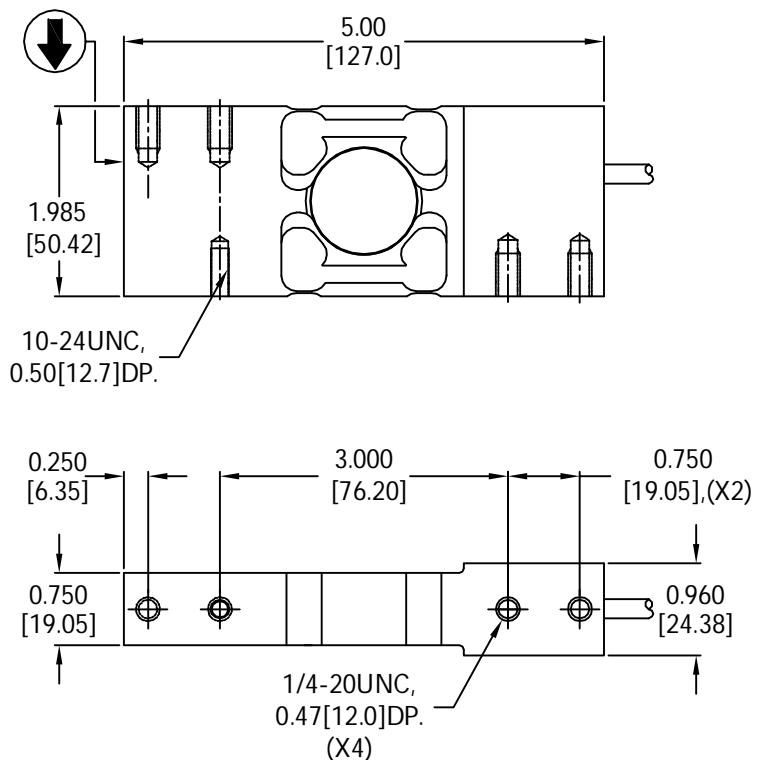
### OPTIONS

- mV/V/Ω Calibration.

### OUTLINE DIMENSIONS

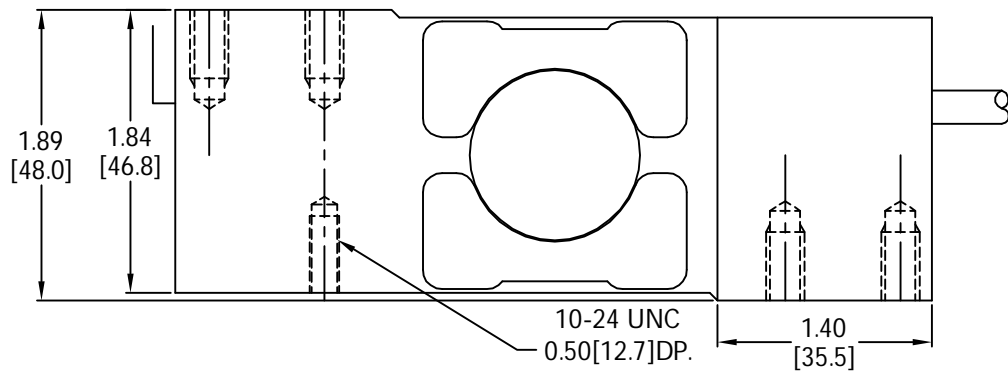
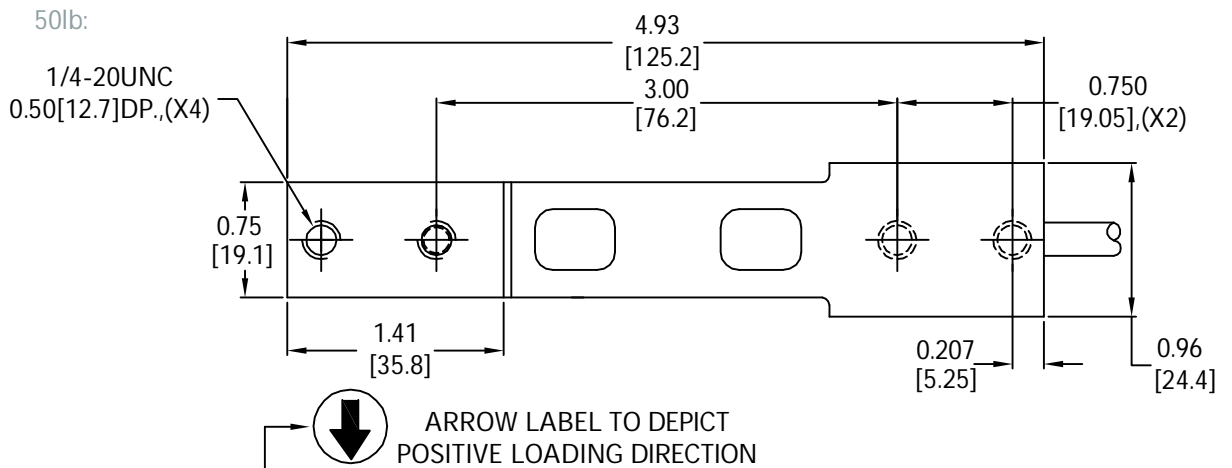
25lb:

ARROW LABEL TO  
DEPICT POSITIVE  
LOADING DIRECTION

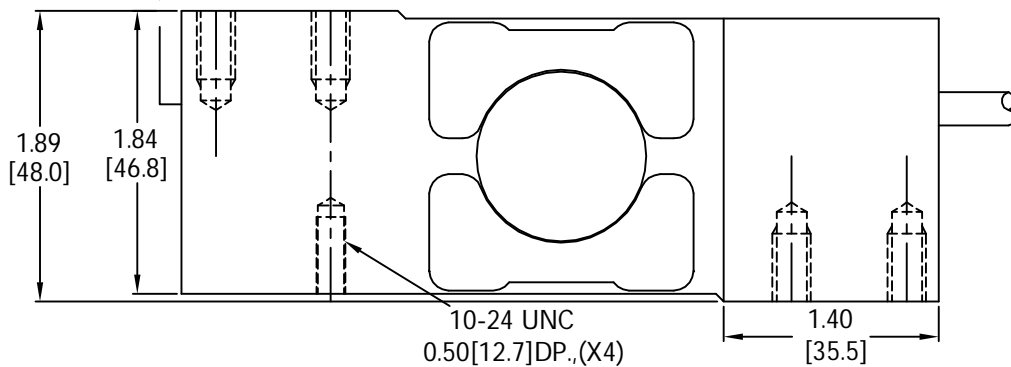
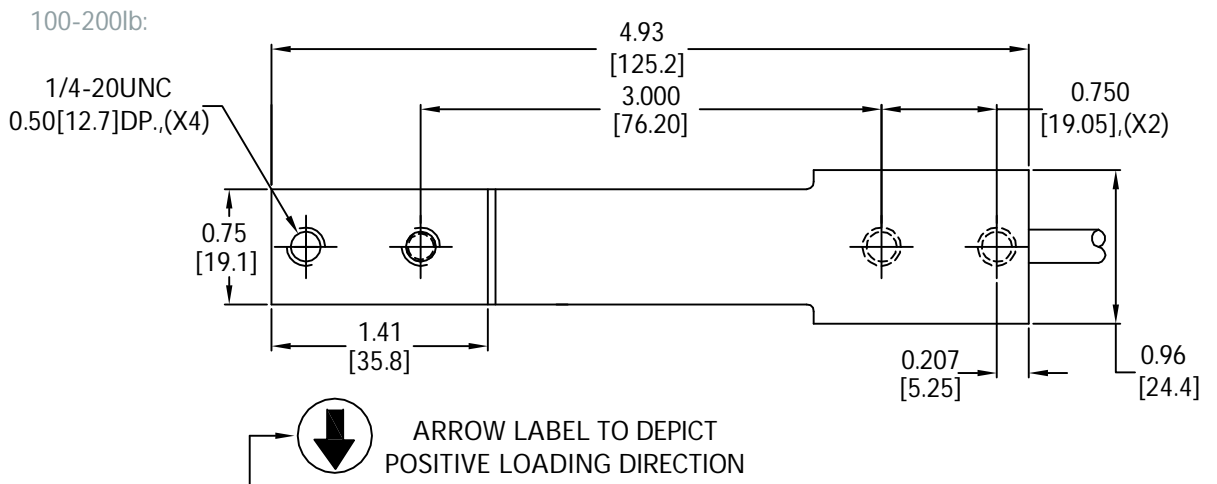


# single point GHPS 4046

50lb:

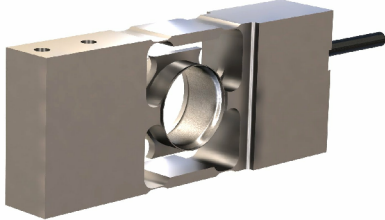


100-200lb:

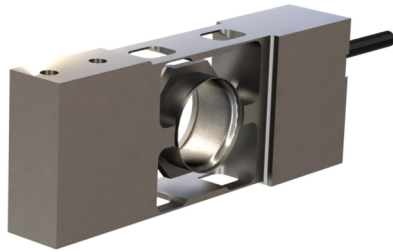


# single point GHPS 4046

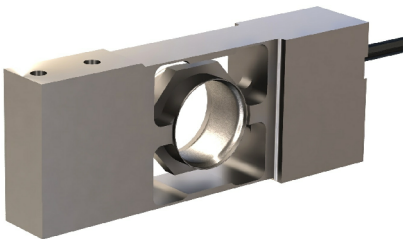
25lb:



50lb :



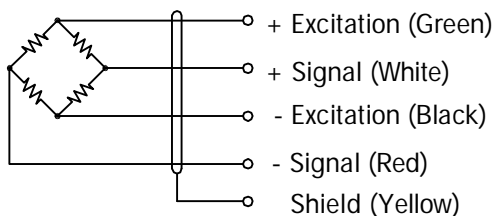
100lb/ 200lb :



## SPECIFICATIONS

Model	4046		
Accuracy class	C3		
Capacities	lb	25/ 50/ 100/ 200	
Full scale output (FS)	mV/V	3.0±0.1%	
Calibration in mV/V/Ω	%	See options	
Combined error	%FS	≤±0.03	
Non-linearity	%FS	≤±0.03	
Hysteresis	%FS	≤±0.03	
Non- repeatability	%FS	≤±0.01	
Creep @ 5min	%FS	≤±0.024	
Zero balance	%FS	≤±1	
Temperature effect			
	Output	%FS/°C	≤±0.0005
	Zero	%FS/°C	≤±0.0015
Temperature range			
	Compensated	°C	-10... +40
	Operating	°C	-54... +93
Terminal resistance			
	Input resistance	Ω	386±10
	Output resistance	Ω	350±5
Excitation voltage	VDC	5... 15	
Insulation resistance @ 50V DC	MΩ	≥5000	
Safe overload limit	%FS	200	
Ultimate load	%FS	300	
Approximate deflection at rated load	mm	0.3	
Cable length	ft	25	
Seal type	IP68		
Element material	Stainless steel		

## WIRING



Cable : 24 AWG, 4-Conductor shielded cable with polyurethane jacket.

## PART NUMBERS

Capacity(lb)	Part#
25	4046-000-00
50	4046-001-00
100	4046-002-00
200	4046-003-00

Dimensions and specifications subject to change without notice