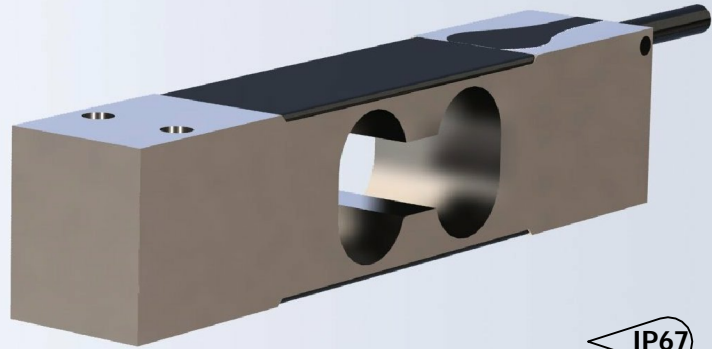


With the same mounting hole spacing as our 4002 series, this load cell could be used as a stainless steel alternative to the 4002. It is designed for wet environments commonly found in food handling applications like such as retail scales, portioning scales, packaging machines, and filling machines. It is also commonly used in various medical and veterinary scale applications.



IP67

FEATURES

- Capacities from 15 kg to 100 kg.
- Stainless steel construction.
- Environmental Protection IP67.
- Low profile design.

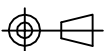
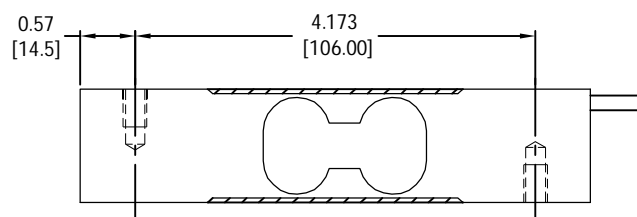
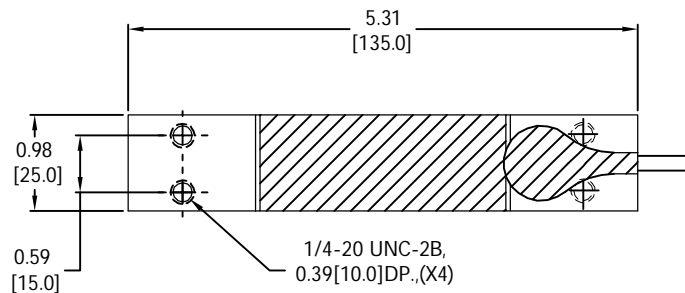
APPLICATIONS

- Retail scales, bench scales, baby scales, packaging and filling machines.

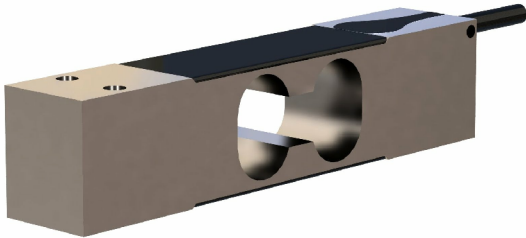
OPTIONS

- mV/V/Ω Calibration.
- Digital outputs (i.e. 0-10 V, 4-20 mA, RS485).

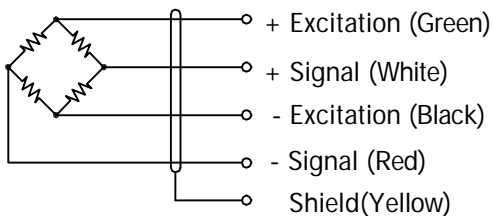
OUTLINE DIMENSIONS



single point 4066



WIRING



Cable : 24AWG, 4 Conductor cable with shield.

SPECIFICATIONS

Model	4066		
Capacities		15/ 30/ 50/ 100	
Full scale output(FS)	mV/V	2±0.1%	
Calibration in mV/V/Ω	%	See option	
Combined error	%FS	≤±0.03	
Creep@30min	%FS	≤±0.0166	
OCLS			
	OCLS error	%LOAD/cm	≤±0.0049
Zero Balance	%FS	≤±5	
Temperature effect			
	Output	%FS/10°C	≤±0.04
	Zero	%FS/10°C	≤±0.01
Temperature range			
	Compensated	°C	-10... +40
	Operating	°C	-20... +70
Terminal resistance			
	Input resistance	Ω	385±10
	Output resistance	Ω	350±3
Excitation voltage	VDC	10... 15	
Insulation resistance@50VDC	MΩ	≥5000	
Safe overload limit	%FS	100	
Ultimate load	%FS	300	
Cable length	ft	10	
Seal type	IP67		
Element material	Stainless steel		

Dimensions and specifications subject to change without notice