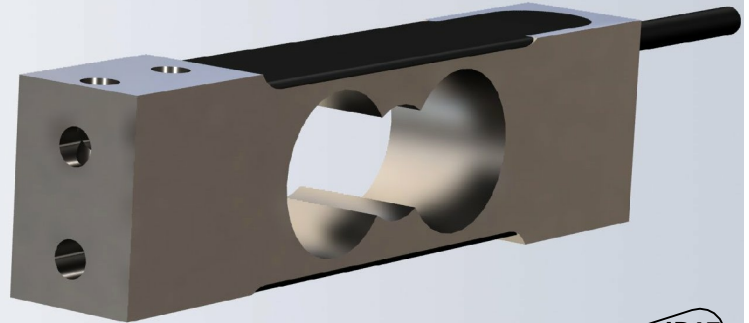


Single point load cell for use in bench scales, filling and packaging machines.



IP67

FEATURES

- Capacities from 10 kg to 100 kg.
- Alloy steel construction.
- Environmental Protection IP67.
- Maximum platform size up to 300x300 mm(10-30kg), 400 x 400 mm(50-100kg).
- Integral mounting spacer.
- More rugged than SP4-A aluminum version.

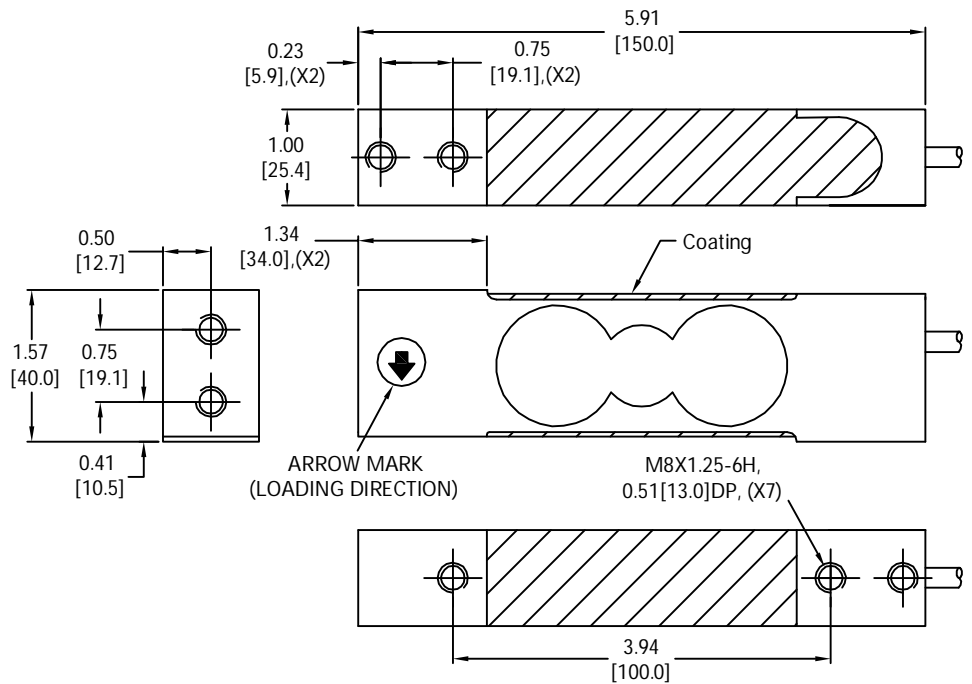
APPLICATIONS

- Retail scales, bench scales, conveyor scales, filling and packaging machines.
- Ideal for rugged environment not suitable for aluminum load cells.

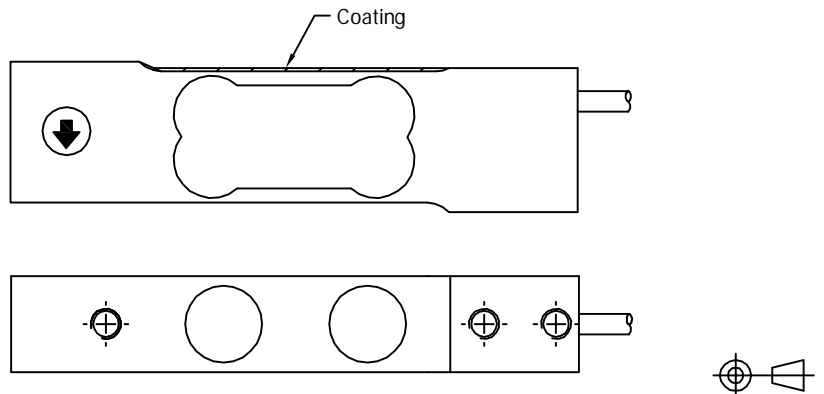
OPTIONS

- mV/V/Ω Calibration for applications with multiple load cells.
- 4018 : With aluminum construction.
- 4023 : With stainless steel construction.

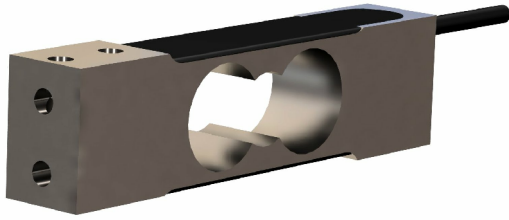
OUTLINE DIMENSIONS



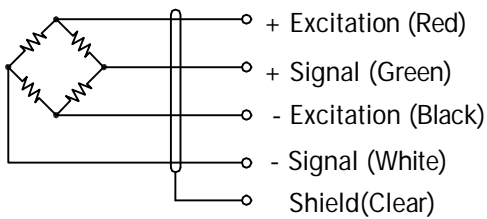
FRONT & BOTTOM VIEW OF 10kg CAPACITY :



single point 4073



WIRING



Cable : 24 AWG, 4 Conductor shielded black cable.

SPECIFICATIONS

Model	4073		
Accuracy class	C3		
Capacities	kg	10/ 15/ 20/ 30/ 50/ 75/ 100	
Full scale output(FS)	mV/V	2.0±0.002	
Combined error	%FS	≤±0.03	
Creep@30min	%LOAD	≤±0.03	
Zero Balance	%FS	≤±1	
Temperature range			
	Compensated	°C	-10... +40
	Operating	°C	-40... +70
Terminal resistance			
	Input resistance	Ω	400±10
	Output resistance	Ω	352±2
Excitation voltage	VDC	10... 15	
Insulation resistance@50VDC	MΩ	≥5000	
Maximum overload	%FS	150	
Without mechanical stop	%FS	300	
Cable length	m	3	
Maximum safe moment	kg.cm	30 x Rated capacity	
Deflection@rated capacity	mm	0.49	
Weight	kg	0.78	
Seal type	IP67		
Element material	Nickel plated alloy steel		

Dimensions and specifications subject to change without notice