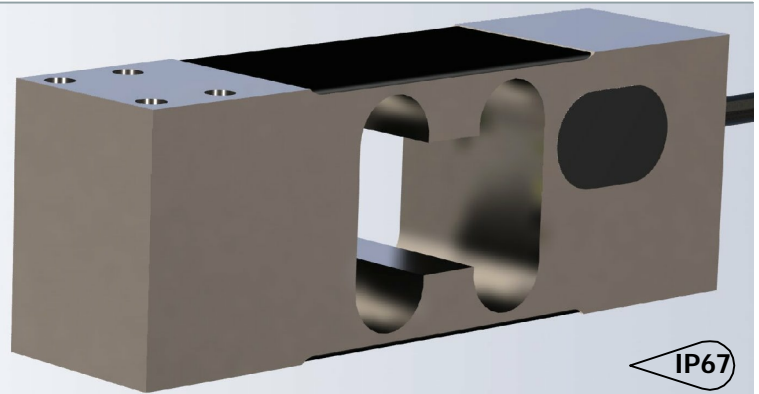


This "brick" cell is the workhorse of the single points. It features capacities from 50 kg up to 500kg and can handle a maximum platform size of 15.75" x 15.75". Constructed from alloy steel, this cell is more durable than the aluminum version and designed to take industrial abuse. Very commonly found in large bench scales, and medium sized weigh feeders.



IP67

FEATURES

- Capacities from 50kg to 500kg.
- Nickel plated alloy steel construction.
- Environmental protection IP67.
- Maximum platform size up to 15.75" x 15.75".
- More rugged than aluminum cells.

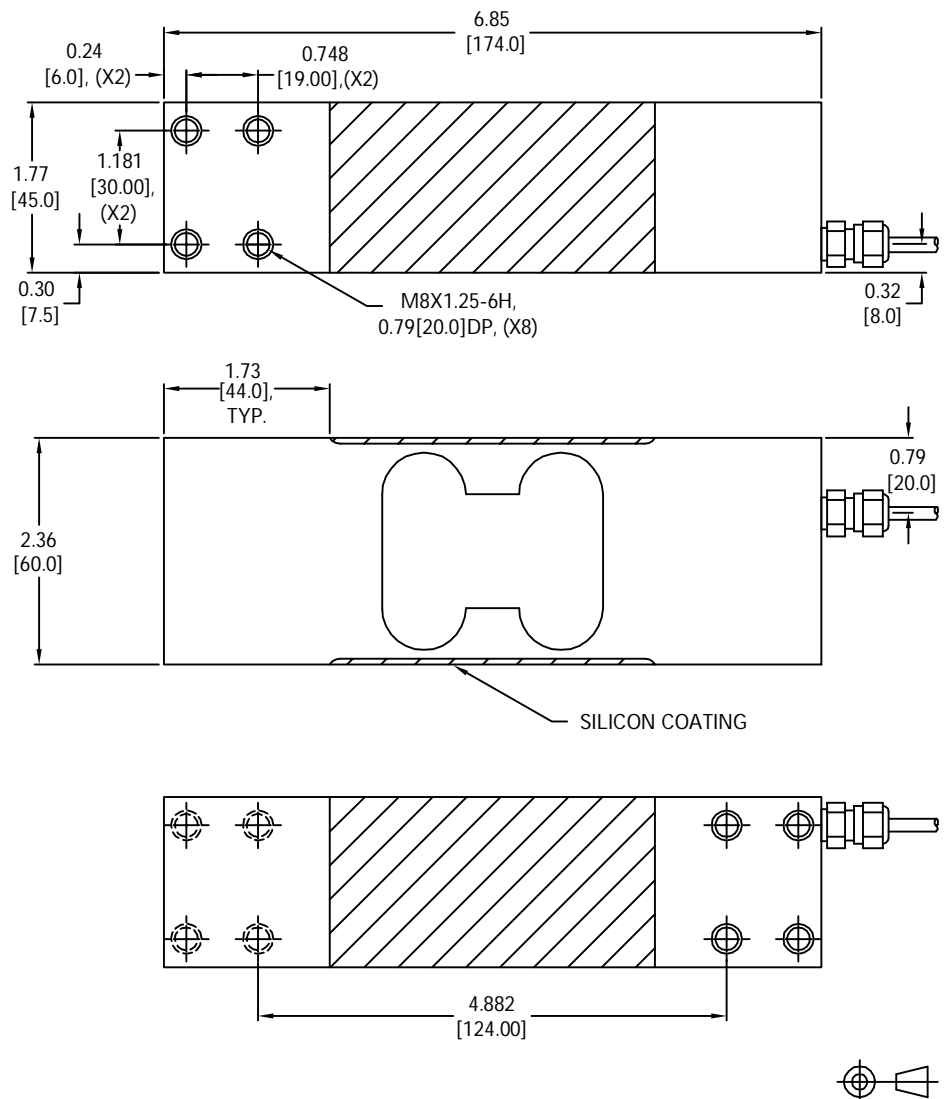
APPLICATIONS

- Bench scales, floor scales, conveyor scales, large filling machines, weigh feeders and medical scales.

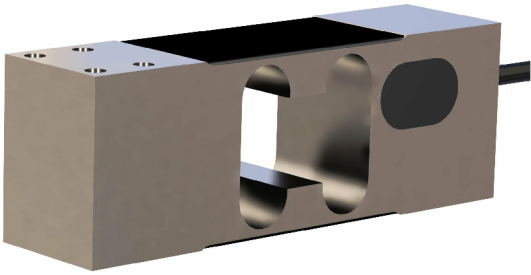
OPTIONS

- Stainless steel construction.
- Stainless steel hermetically sealed version for heavy washdown applicatons.

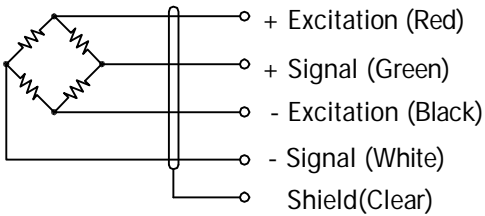
OUTLINE DIMENSIONS



single point 4075



WIRING



Cable : 24 AWG, 4 Conductor cable with shield.

SPECIFICATIONS

Model	4075		
Accuracy class	C3		
Capacities	kg	50/ 100/ 150/ 200/ 300/ 500	
Full scale output(FS)	mV/V	2.0±0.002	
Combined error	%FS	≤±0.02	
Creep@30min	%LOAD	≤±0.02	
Zero Balance	%FS	≤±1	
Temperature range			
	Compensated	°C	-10... +40
	Operating	°C	-40... +70
Terminal resistance			
	Input resistance	Ω	400±10
	Output resistance	Ω	352±2
Excitation voltage	VDC	10... 15	
Insulation resistance@50VDC	MΩ	≥5000	
Maximum safe moment	kg.cm	30 x Rated capacity	
Safe overload limit	%FS	150	
Ultimate load	%FS	200	
Deflection@ rated capacity	mm	0.49	
Weight	kg	2.52	
Cable length	m	3	
Seal type	IP67		
Element material	Nickel plated alloy steel		

Dimensions and specifications subject to change without notice