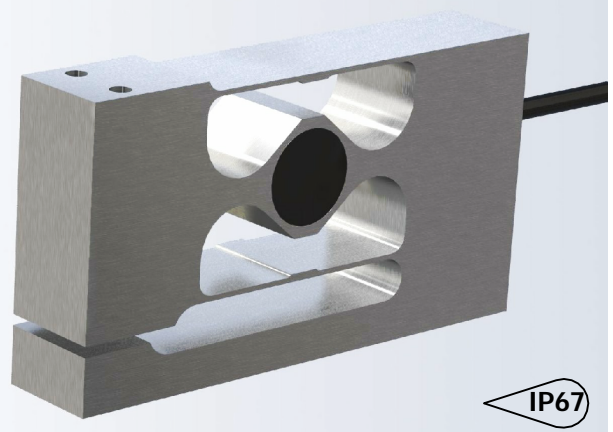


The 4079 series load cell with its high response time and integral overload stop makes it ideal for use in packaging and filling machines.



FEATURES

- Capacities from 10kg to 100kg.
- Anodized aluminum construction.
- Environmental Protection IP67.
- High natural frequency, Fast response time.

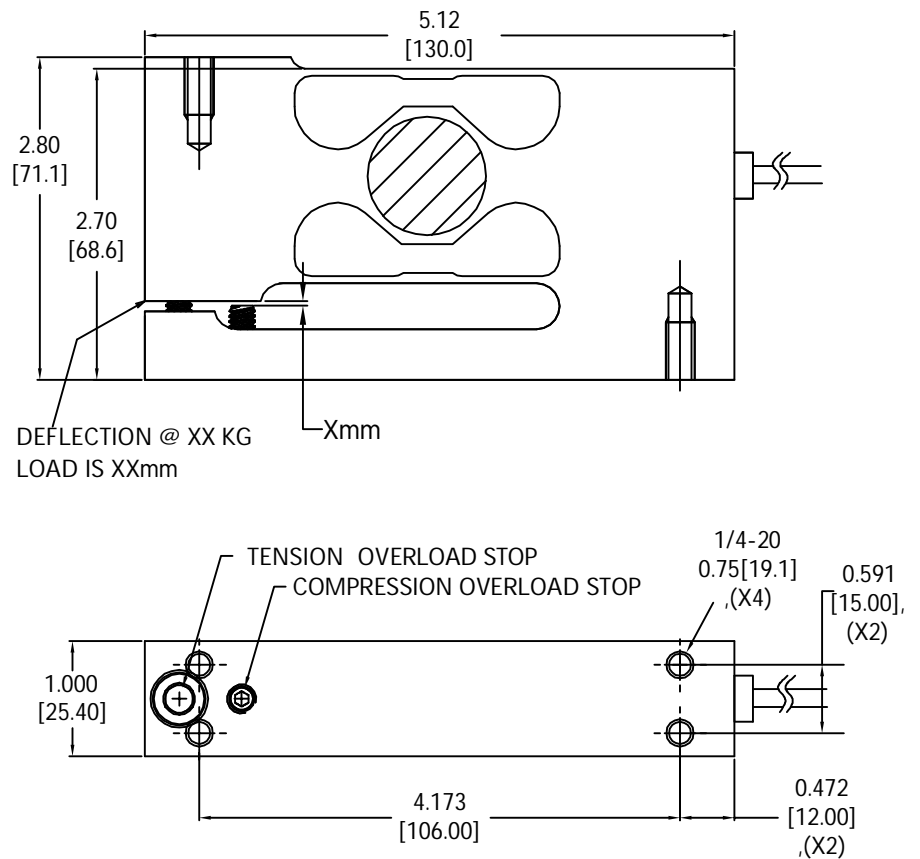
APPLICATIONS

- Ideal for use in packaging and bag filling machines.

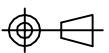
OPTIONS

- Voltage output.
- Serial digital output.

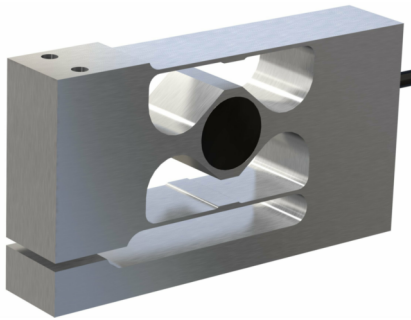
OUTLINE DIMENSIONS



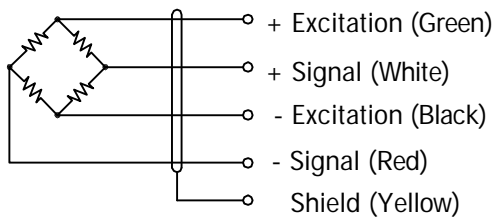
Capacity(kg)	X in(mm)	XX mm
10	0.018[0.45]	0.17
30	0.009[0.22]	0.20



single point
SP12
4079



WIRING



Cable : 24 AWG, 4 Conductor cable.

SPECIFICATIONS

Model	4079		
Capacities	kg	10/ 30/ 50/ 100	
Full scale output (FS)	mV/V	2.0±0.1%	
Calibration in mV/V/Ω	%	≤±0.05	
Non-linearity	%FS	≤±0.03	
Hysteresis	%FS	≤±0.02	
Non- repeatability	%FS	≤±0.01	
Creep @ 30min	%FS	≤±0.03	
Zero balance	%FS	≤±2	
Temperature effect			
	Output	%FS/10°C	≤±0.014
	Zero	%FS/10°C	≤±0.02
Temperature range			
	Compensated	°C	-10... +40
	Operating	°C	-20... +65
Terminal resistance			
	Input resistance	Ω	386±5
	Output resistance	Ω	350±3
Excitation voltage	VDC	10... 15	
Insulation resistance @ 50V DC	MΩ	≥5000	
Safe overload limit	%FS	150	
Ultimate load	%FS	300	
Cable length	ft	10	
Seal type	IP67		
Element material	Anodized aluminum		
Bolt torque	Nm	10	

PART NUMBERS

Capacity(kg)	Part #
10	4079-000-00
30	4079-001-00
50	4079-002-00
100	4079-003-00

Dimensions and specifications subject to change without notice