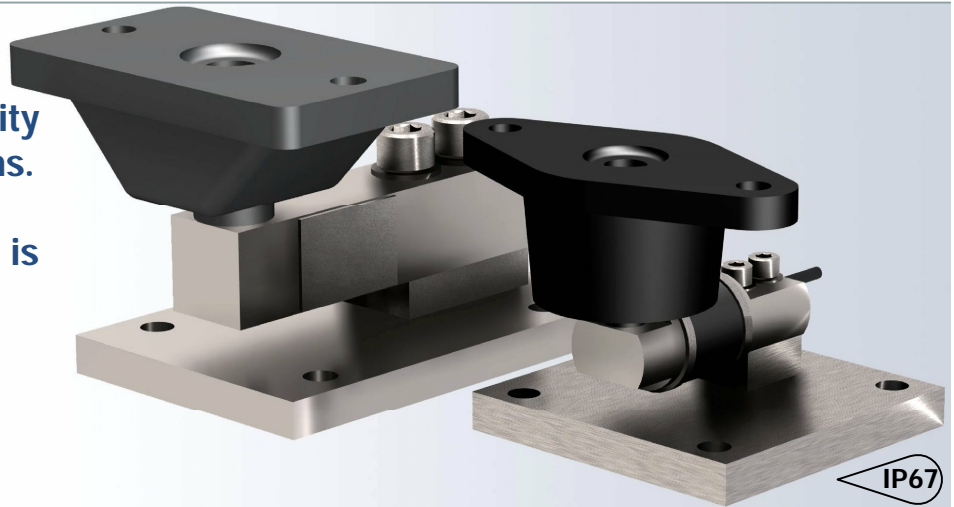


The type 1000WM11 is the choice for light capacity tank weighing applications. This assembly with its neoprene isolation mount is also well suited to applications subject to vibration.



FEATURES

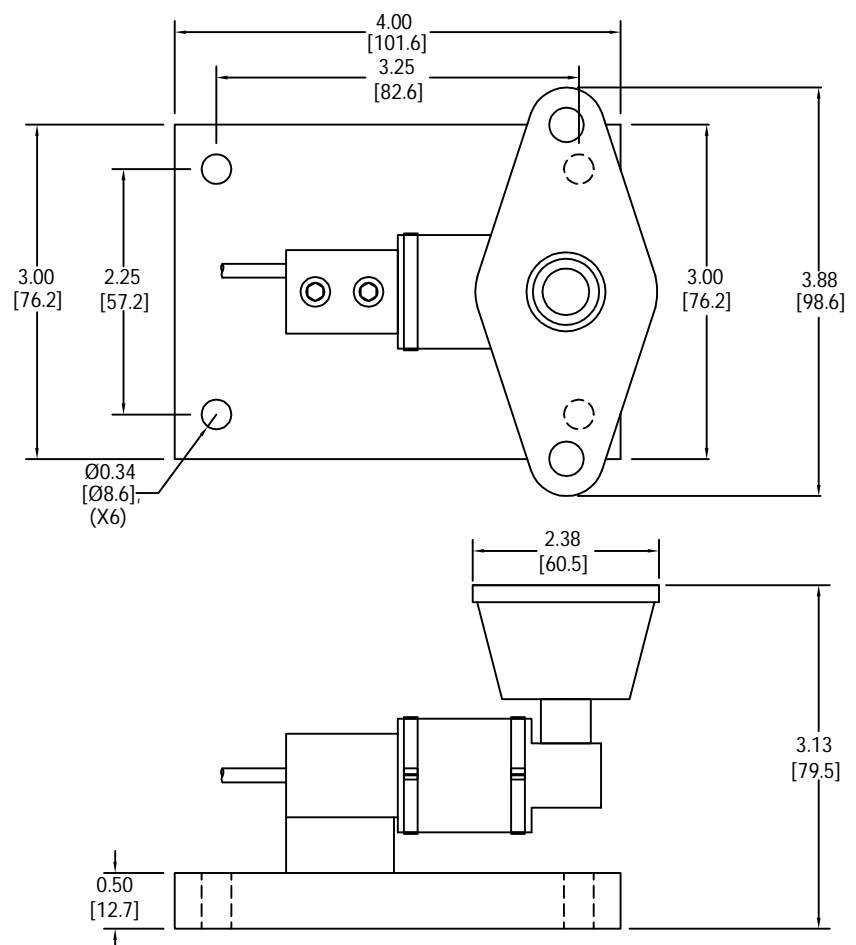
- Capacities range from 50 to 2500 lbs.
- Neoprene isolation mount minimizes the negative effects of vibration and shock loads.
- Optional stainless steel, hermetically sealed construction for washdown or outdoor applications.
- Low profile design.
- Standardized outputs from the load cells makes calibration and maintenance effortless for multi-cell applications.

APPLICATIONS

- Tank, Bin, and Hopper weighing, Precision Batching, Blending and mixing operations, Level indication.

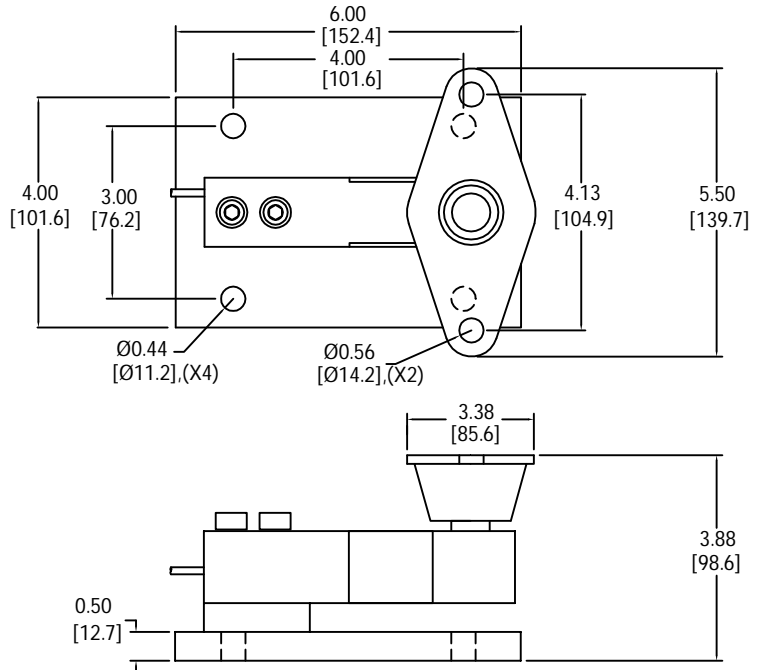
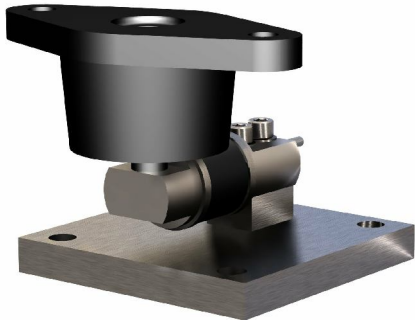
OUTLINE DIMENSIONS

50-250lbs Capacities:



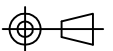
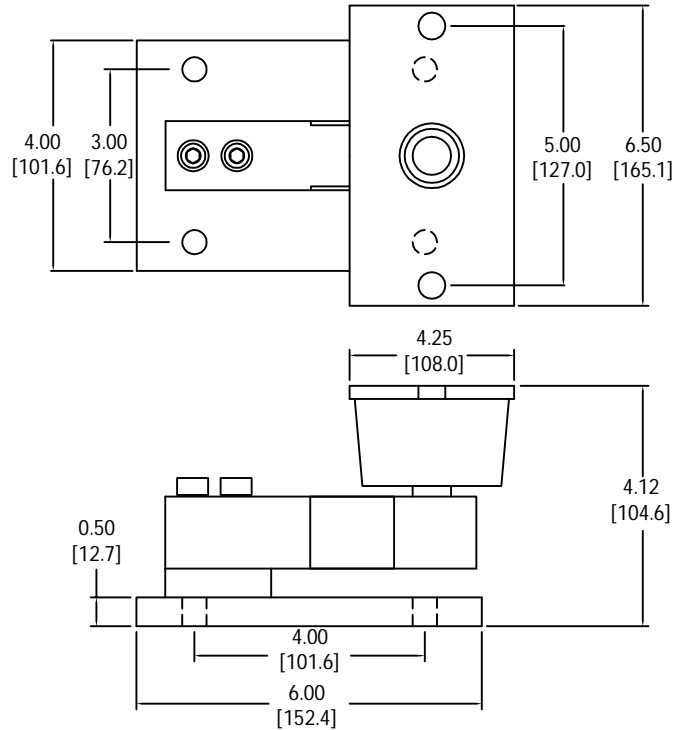
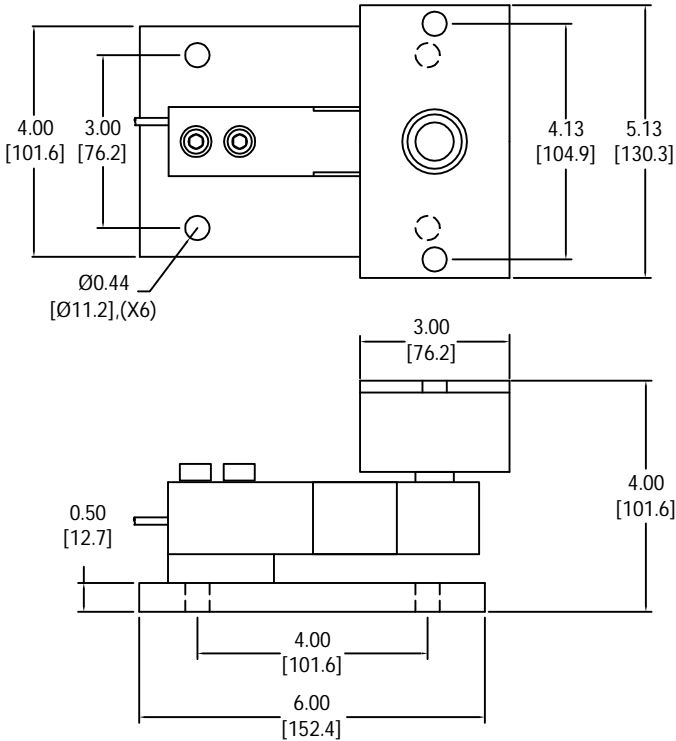
weighing module 1000WM11

500 lb Capacity:

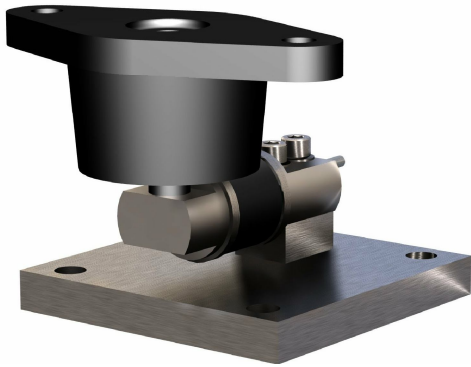


1 klb Capacity:

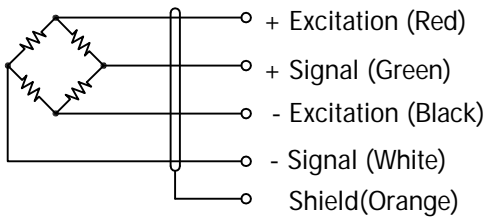
1.5-2.5klb Capacities:



weighing module 1000WM11



WIRING



Cable : 20AWG, 4 Conductor cable with shield

SPECIFICATIONS

Model	1000WM11		
Capacities	lb	50/ 75/ 100/ 150/ 250/ 500/ 1k/ 1.5k/ 2.5k	
Full scale output(FS)	mV/V	3.0±0.25%	
Non-linearity	%FS	≤±0.03	
Hysteresis	%FS	≤±0.02	
Non- repeatability	%FS	≤±0.01	
Zero Balance	%FS	≤±1	
Temperature effect			
	Output	%FS/°F	≤±0.008
	Zero	%FS/°F	≤±0.0015
Temperature range			
	Compensated	°F	0... 150
Terminal resistance			
	Input resistance	Ω	386±10
	Output resistance	Ω	350±5
Excitation voltage	VDC	10... 15	
Insulation resistance@50VDC	MΩ	≥5000	
Safe overload limit	%FS	150	
Safe side load	%FS	150	
Cable length	ft	25	
Seal type	IP67		
System accuracy	Better than 0.1%		
Material and finish	<ul style="list-style-type: none"> • <u>Load cell</u>: Electroless nickle plated tool steel. *Stainless steel optional. • <u>Mounting assembly</u>: Zinc plated steel with neoprene shock mount. *Stainless steel with neoprene shock mount optional. 		