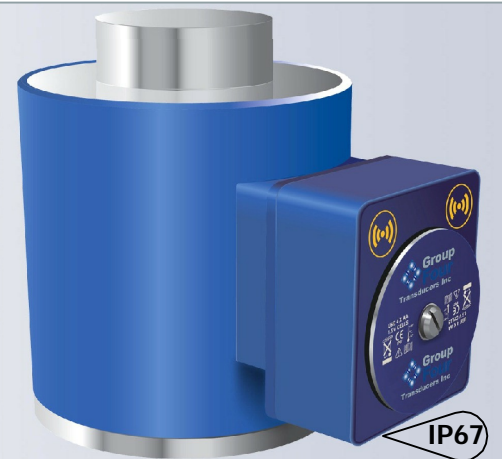


The GWNI wireless compression load cell is the latest entry to the group four wireless load cell product line. 700 meters of data transmission range. The GWNI is available in capacities from 5 to 500 ton.



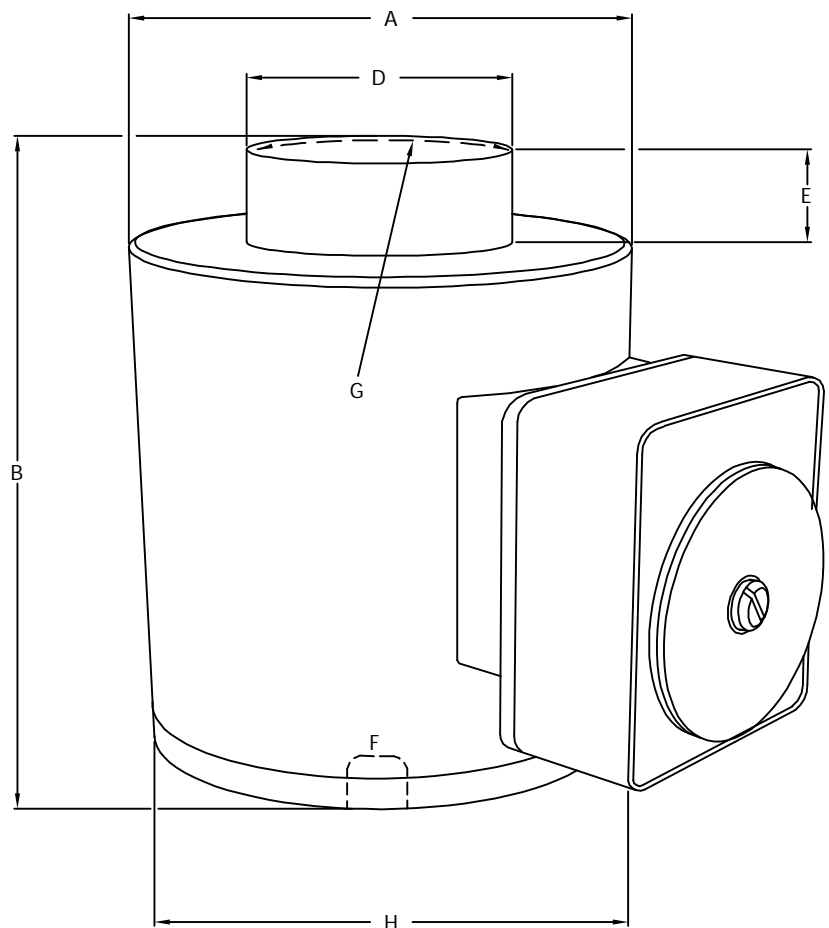
FEATURES

- Proprietary 2.4 GHz wireless.
- Industry leading wireless range.
- Error free data transmission.
- Internal antennae.
- Advanced options available.
- No cable assemblies.
- Unrivalled resolution.
- Audible overload alarm.
- Unmatched battery life.
- Reduced maintenance cost.
- Compact size.
- Remote on-off.
- Design validated by F.E.A.
- High grade stainless steel construction.
- Monitoring software for data collection and display of up to 100 load cells.

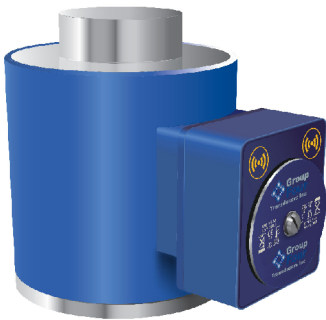
APPLICATIONS

- Mining, energy, defense, heavy rigging, shipping, and general transportation sectors.

OUTLINE DIMENSIONS



GWNI



OUTLINE DIMENSIONS

	5t	10t	25t	50t	100t	150t	300t	500t
A	102	102	102	102	152	152	185	185
B	127	127	127	127	184	184	300	300
D	59	59	59	59	80	80	155	155
E	13	13	13	13	26	26	27.5	27.5
F	M18x2.5	M18x2.5	M18x2.5	M20X2.5	M20X2.5	M20X2.5	M20X2.5	M20X2.5
G	152	152	152	152	432	432	432	432
H	158	158	158	158	208	208	241	241

Note : All dimensions are in mm

SPECIFICATIONS

Model	GWNI							
Capacity	5t	10t	25t	50t	100t	150t	300t	500t
Resolution	0.001t	0.002t	0.005t	0.02t	0.1t	0.1t	0.1t	0.5t
Weight	6.2kg	6.2kg	6.2kg	6.2kg	15.5kg	15.5kg	65kg	65kg
Safety factor	3:1							
Battery type	Load cell 4X AA Alkaline							
Battery life	Load cell 1,200 hours continuous							
Operating temperature	-10... +50°C							
Accuracy	0.3%Applied Load							
Frequency	2.4GHz							
System range	700 m							
Data range	3Hz (configurable to 200Hz)							
Protection	IP67							

Note : Capacities from 500t - 2,000t (price on application).

Dimensions and specifications subject to change without notice