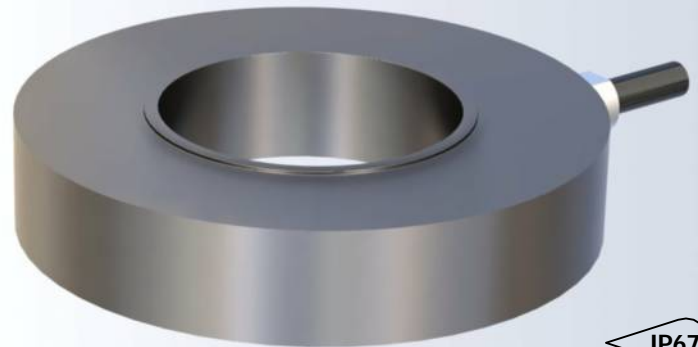


The type ENBL is a stainless steel donut load cell for force and weight measurement.



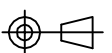
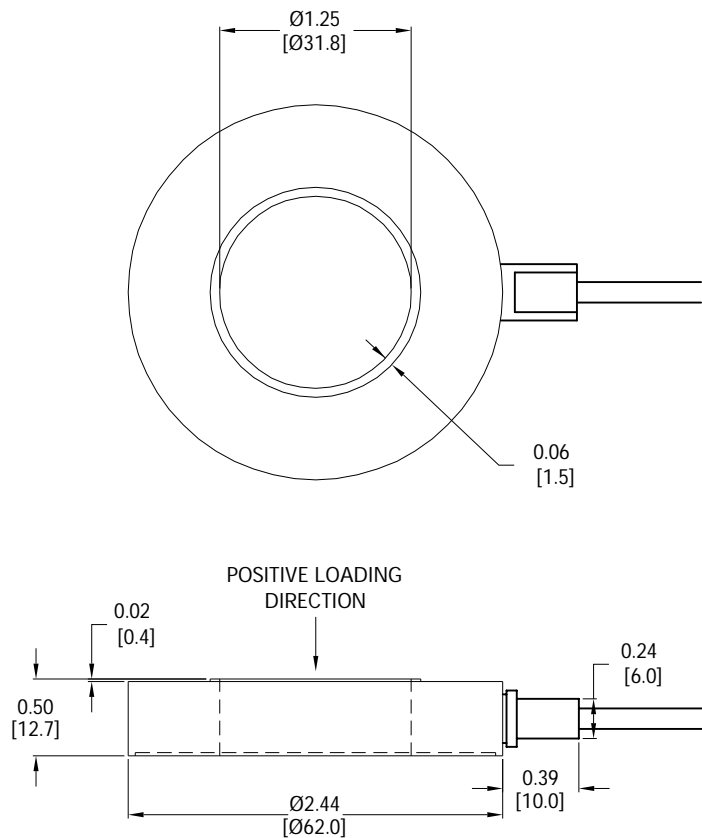
FEATURES

- Capacities from 1000 to 10000lb.
- Stainless steel construction.
- Environmental protection IP67.

APPLICATIONS

- Force and weight measurement.

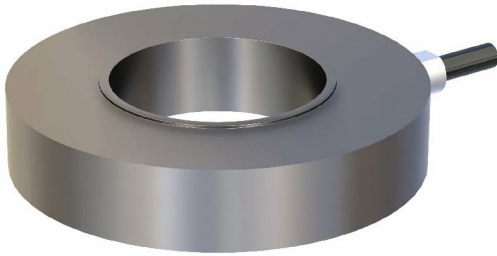
OUTLINE DIMENSIONS



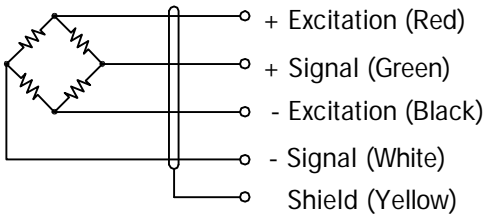
donut load cell

ENBL

5045



WIRING



Cable : 28AWG, 4 conductor gray cable with shield.

SPECIFICATIONS

Model	ENBL		
Capacities	lb	1000/ 2000/ 5000/ 10000	
Full scale output (FS)	mV/V	2.0±5%	
Combined error	%FS	≤±1	
Non-repeatability	%FS	≤±0.1	
Creep @ 30min	%FS	≤±0.06	
Zero balance	%FS	≤±5	
Temperature effect			
	Output	%FS/10°C	≤±0.1
	Zero	%FS/10°C	≤±0.1
Temperature range			
	Compensated	°C	-10... +40
	Operating	°C	-20... +65
Terminal resistance			
	Input resistance	Ω	700±30
	Output resistance	Ω	700±5
Excitation voltage	VDC	5...15	
Insulation resistance @ 50V DC	MΩ	≥5000	
Safe overload limit	%FS	150	
Ultimate load	%FS	200	
Cable length	m	3	
Seal type	IP67		
Element material	Stainless steel		

PART NUMBERS

Capacity(lb)	Part No.
1000	5045-000-00
2000	5045-001-00
5000	5045-002-00
10000	5045-003-00

Dimensions and specifications subject to change without notice