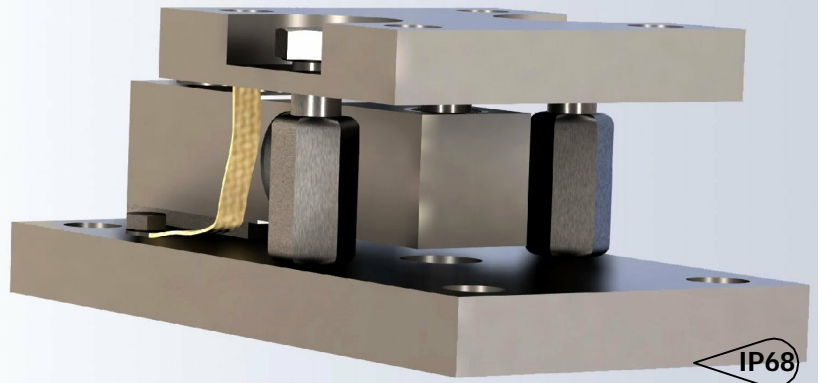


The type 1000WM5 stainless steel, hermetically sealed weigh module is ideal for tank, bin and hopper weighing.



FEATURES

- Capacity range: 500lb to 10000lb.
- Stainless steel construction.
- Environmental Protection IP68.
- Optimized structure design for easy installation.
- Low profile design.

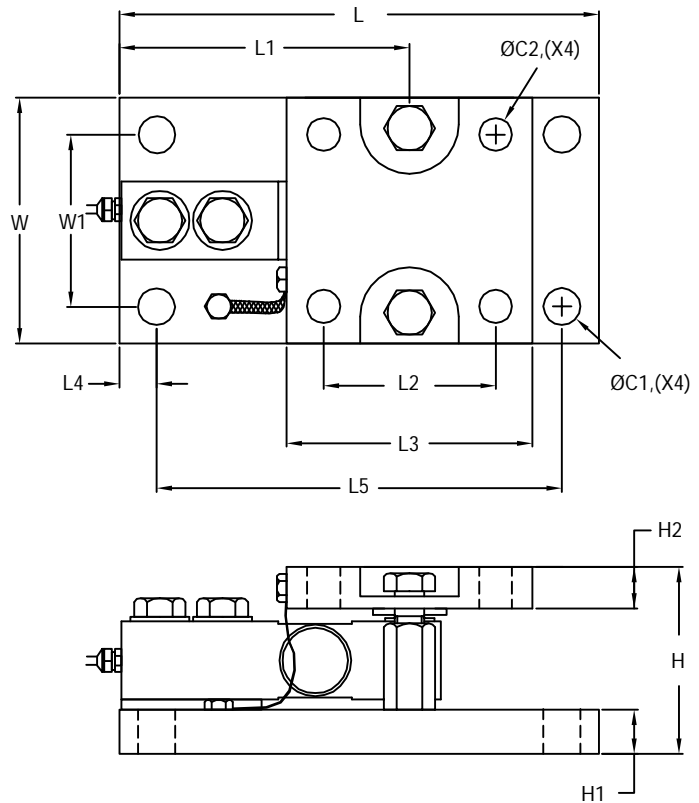
APPLICATIONS

- Especially designed for hopper, mixer and platform scales.

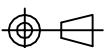
OPTIONS

- 1000WM3 : Plated steel version.

OUTLINE DIMENSIONS

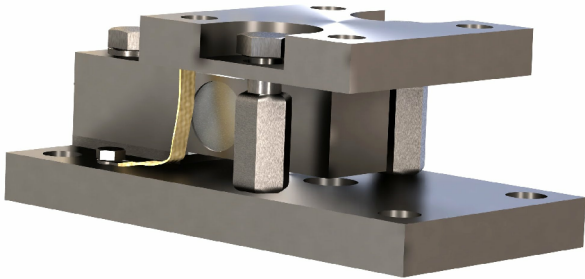


LOAD CELL CAPACITY(lb)	C1	C2	H	H1	H2	L	L1	L2	L3	L4	L5	W	W1
500-4000;5000SE	0.59 [15.0]	0.53 [13.5]	2.99 [76.0]	0.71 [18.0]	0.67 [17.0]	7.68 [195.0]	4.65 [118.0]	2.76 [70.0]	3.94 [100.0]	0.59 [15.0]	6.50 [165.1]	3.94 [100.0]	2.76 [70.0]
5000-10000	0.71 [18.0]	0.59 [15.0]	4.33 [110.0]	1.06 [27.0]	0.98 [25.0]	9.57 [243.0]	6.00 [152.5]	3.35 [85.0]	4.72 [120.0]	0.75 [19.0]	8.07 [205.0]	4.72 [120.0]	3.35 [85.0]

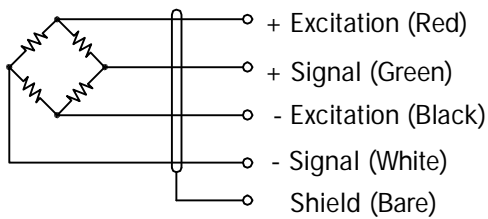


weighing module

RB14-WM 1000WM5



WIRING



Cable :5.1mm dia. 4 Conductor cable.

SPECIFICATIONS

Model	1000WM5		
Capacities	lb	500 - 10000	
Full scale output (FS)	mV/V	2.0±0.25%	
Non-linearity	%FS	≤±0.023	
Hysteresis	%FS	≤±0.023	
Non- repeatability	%FS	≤±0.023	
Creep @ 30min	%FS	≤±0.030	
Zero balance	mV/V	±0.06	
Temperature range			
	Operating	°C	-10... +40
Terminal resistance			
	Output resistance	Ω	350±7
Excitation voltage	VDC	10... 15	
Insulation resistance @ 50V DC	MΩ	≥2000	
Safe overload limit	%FS	150	
Ultimate load	%FS	300	
Cable length	m	6	
Seal type	IP68		
Element material	Stainless steel		

Dimensions and specifications subject to change without notice