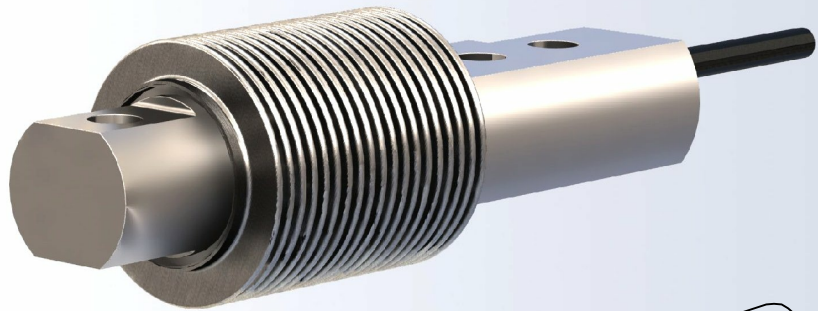


The SB38-STD is a hermetically sealed, stainless steel beam type load cell. It is ideal for use in floor scales, bench scales, packaging and filling machines. It is a perfect fit for heavy wash down applications.



FEATURES

- Capacities from 5 kg to 200 kg.
- Stainless steel construction.
- Environmental Protection IP68.

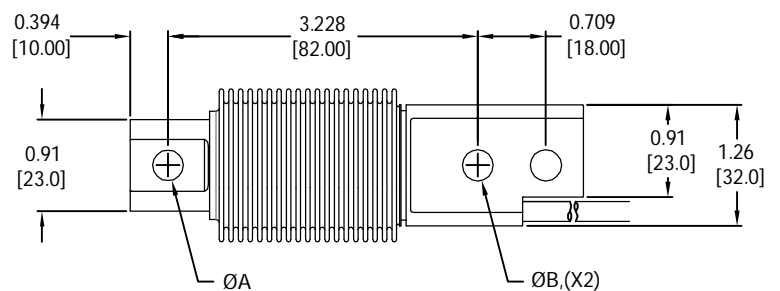
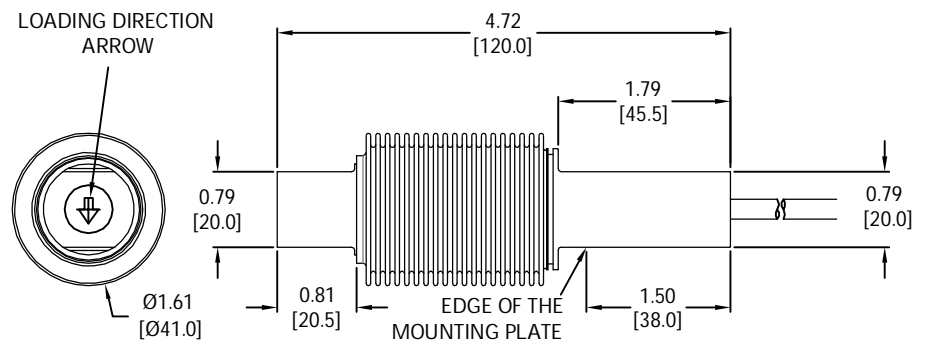
APPLICATIONS

- Platform scales, bench scales, conveyor scales, small hopper and tank weighing systems, packaging and filling machines.

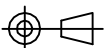
OPTIONS

- SB38-xx-96 (1042) : Blind hole loading.

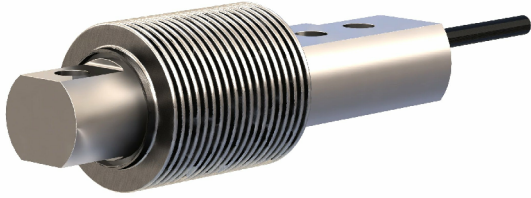
OUTLINE DIMENSIONS



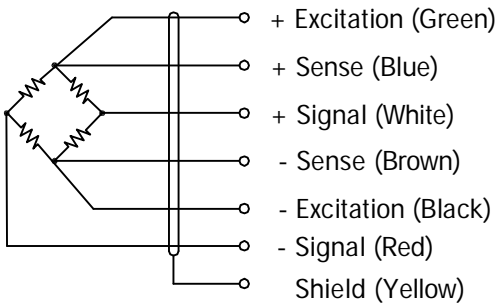
CAPACITY (kg)	ØA	ØB
5 - 200	0.32[8.2]	0.32[8.2]



single ended beam SB38-STD 1001



WIRING



Cable : 24 AWG, 6 Conductor cable with shield.

SPECIFICATIONS

Model	1001		
Accuracy Class	C3		
Capacities	kg	5/ 10/ 20/ 50/ 100/ 200	
Full Scale Output (FS)	mV/V	2.0±0.1%	
Calibration in mV/V/Ω	%	≤±0.005	
Combined Error	%FS	≤±0.02	
Non-Linearity	%FS	≤±0.017	
Hysteresis	%FS	≤±0.017	
Creep @ 30min	%FS	≤±0.017	
Zero Balance	%FS	≤±5	
Temperature Effect			
	Output	%FS/10°C	≤±0.01
	Zero	%FS/10°C	≤±0.014
Temperature Range			
	Compensated	°C	-10... +40
	Operating	°C	-40... +80
Terminal Resistance			
	Input Resistance	Ω	380±10
	Output Resistance	Ω	350±5
Excitation Voltage	VDC	5... 15	
Insulation Resistance @ 50V DC	MΩ	≥5000	
Safe Overload Limit	%FS	200	
Ultimate Load	%FS	300	
Safe Side Load	%FS	100	
Cable Length	ft	10±0.02	
Seal Type	IP68		
Element Material	Stainless steel		
Bolt Torque	Nm	25	

PART NUMBERS

Capacity (kg)	Part No.
5	1001-000-03
10	1001-001-03
20	1001-002-03
50	1001-003-03
100	1001-004-03
200	1001-005-03

Dimensions and specifications subject to change without notice