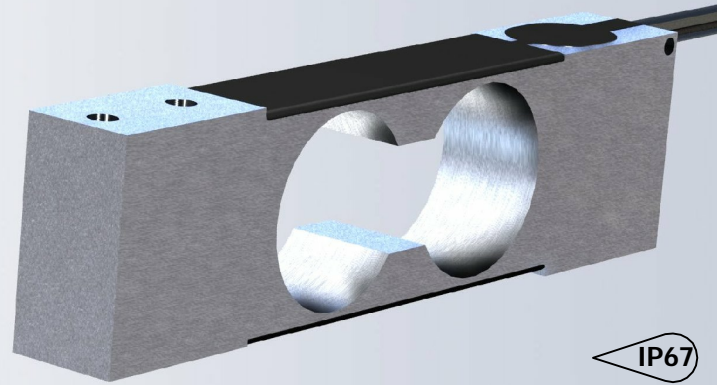


The 4018 has a broad range of capacities from 1kg to 100 kg making it ideal for a large variety of applications.



**FEATURES**

- Capacities from 1 kg to 100 kg.
- Aluminum construction.
- Environmental Protection IP67.
- Maximum platform size up to 16X16in.
- High natural frequency.
- Lower cost than SP4-SS.

**APPLICATIONS**

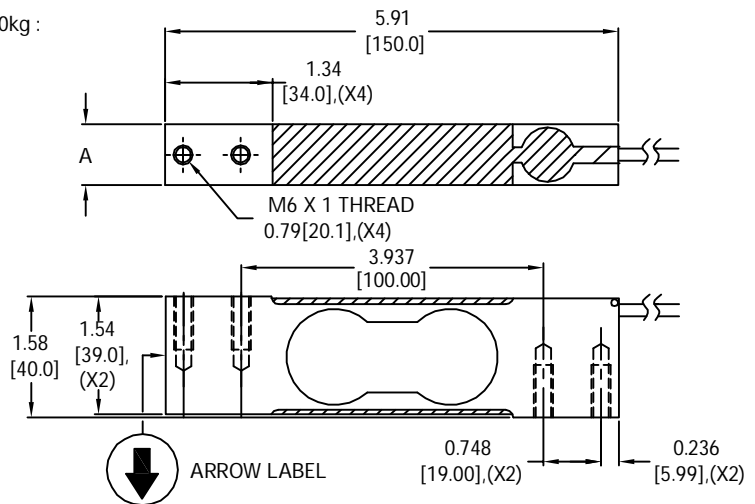
- Retail scales, Bench scales, Check weighing scales and Portion control scales.

**OPTIONS**

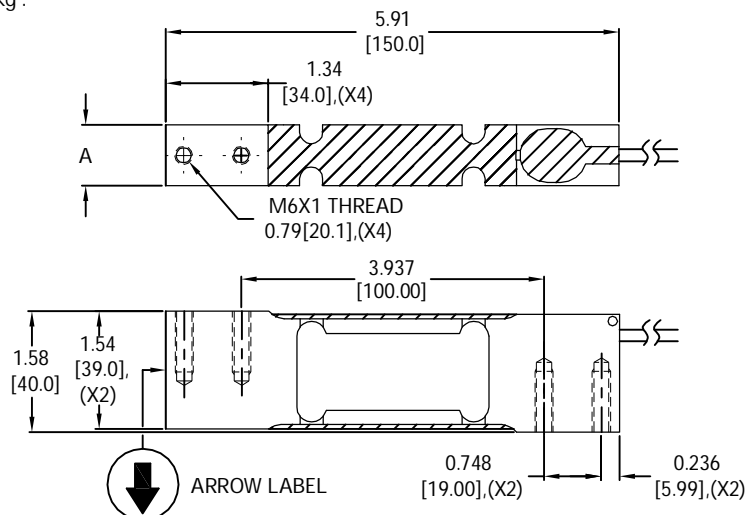
- 4019 : With unified thread.
- 4073 : With nickel plated steel construction.
- SP4-SS : With stainless steel construction.
- Hi-pot test at 600vac for 1 sec.

**OUTLINE DIMENSIONS**

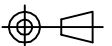
3-100kg :



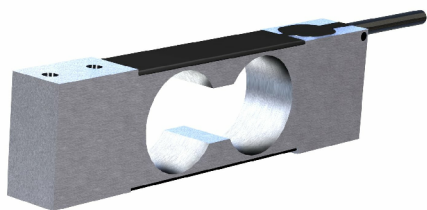
1-2kg :



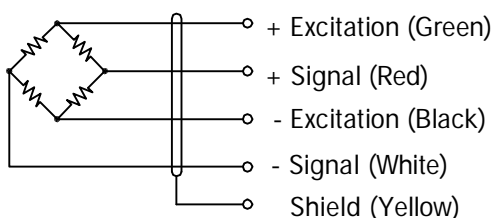
CAPACITY(kg)	1-30	50-100
DIMENSION 'A'	0.787[20.00]	0.992[25.20]



# single point SP4 4018



## WIRING



Cable : 24 AWG, 4-Conductor AL foil shielded black cable.

## SPECIFICATIONS

Model	4018		
Accuracy class	C3		
Capacities (E <sub>max</sub> )	kg	1/ 2/ 3/ 5/ 10/ 20/ 50/ 100	
Full scale output (FS)	mV/V	2.0±0.1%	
Calibration in mV/V/Ω	%	≤±0.05	
Combined error	%FS	≤±0.02	
Non-linearity	%FS	≤±0.017	
Hysteresis	%FS	≤±0.017	
Creep @ 30min	%FS	≤±0.017	
Zero balance	%FS	≤±1	
OCLS			
	Max platform size	in	16X16
	Max off-center distance	in	6
	OCLS Error @ 1/3 of E <sub>max</sub>	%FS	≤±0.066
Temperature effect			
	Output	%FS/10°C	≤±0.01
	Zero	%FS/10°C	≤±0.014
Temperature range			
	Compensated	°C	-10... +40
	Operating	°C	-20... +65
Terminal resistance			
	Input resistance	Ω	386±10
	Output resistance	Ω	350±3
Excitation voltage	VDC	5... 15	
Insulation resistance @ 50V DC	MΩ	≥5000	
Safe overload limit	%FS	150	
Ultimate load	%FS	300	
Cable length	ft	10±0.1	
Seal type	IP67		
Element material	Anodized Aluminum		

Note : OCLS- Off Center Load Sensitivity.

## PART NUMBERS

Capacity (kg)	Part #
1	4018-013-02
2	4018-016-02
3	4018-000-02
5	4018-001-02
10	4018-003-02
20	4018-005-02
50	4018-007-02
100	4018-009-02

Dimensions and specifications subject to change without notice