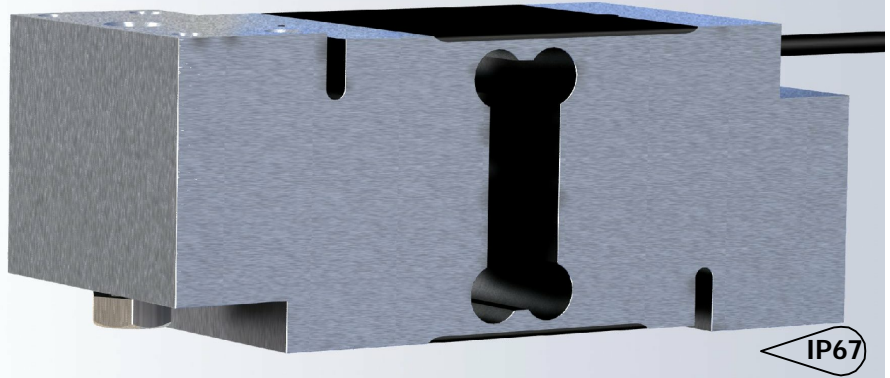


The 4025 series is constructed from high grade aluminum. It is designed for heavy capacity applications and will accommodate off-center loads. The capacities offered are from 75 kg up to 500 kg. The IP67 moisture rating makes it suitable for a semi-wet environment. The integral overload stop gives this load cell positive overload protection making it ideal for heavy industrial wear and tear. This cell is perfect for industrial bench scales, packaging machines and filling machines.



FEATURES

- Capacities from 75kg to 500kg.
- Anodized aluminum construction.
- Environmental protection IP67.

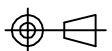
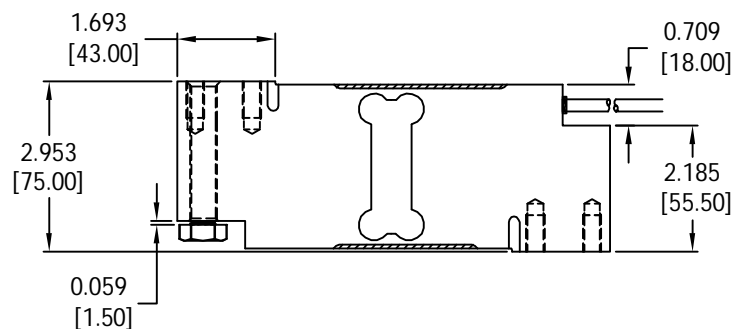
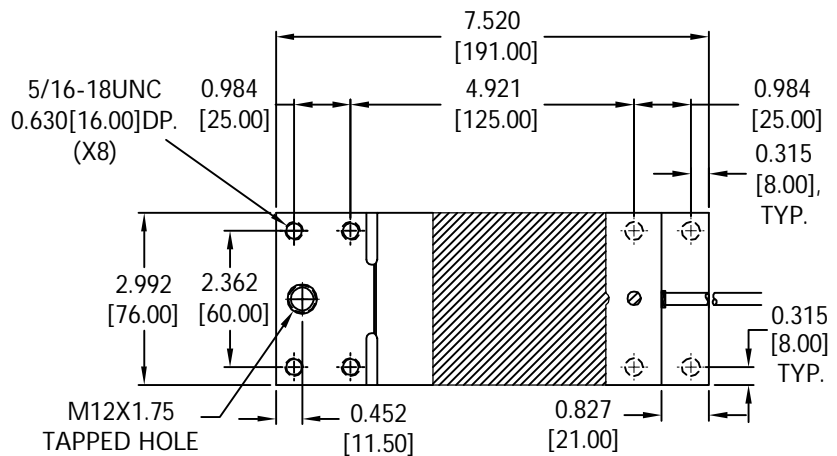
APPLICATIONS

- Large dimension and heavy capacity bench scales and large filling and packaging machines.

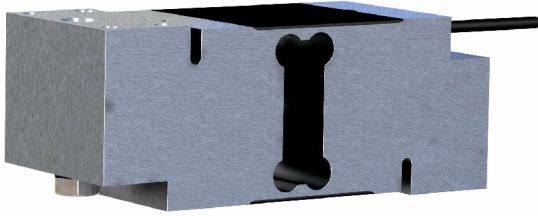
OPTIONS

- mV/V/Ω Calibration matching.

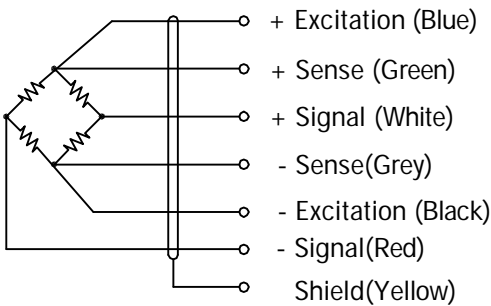
OUTLINE DIMENSIONS



single point
**SP50
4025**



WIRING



Cable : 26 AWG 6 Conductor shielded cable with PVC jacket.

SPECIFICATIONS

Model	4025		
Capacities	kg	75/ 150/ 250/ 500	
Full scale output(FS)	mV/V	2.0±0.1%	
Non-linearity	%FS	≤±0.0166	
Hysteresis	%FS	≤±0.0166	
Creep@30min	%FS	≤±0.0245	
OCLS			
	Max.platform size	mm	800 x 800
	OCLS error	%FS	≤±0.0233
Zero Balance	mV/V	≤±0.1	
Temperature effect			
	Output	%FS/10°C	≤±0.0117
	Zero	%FS/10°C	≤±0.0186
Temperature range			
	Compensated	°C	-10... +40
	Operating	°C	-10... +50
Terminal resistance			
	Input resistance	Ω	386±10
	Output resistance	Ω	350±5
Excitation voltage	VDC	15	
Insulation resistance@50VDC	MΩ	≥2000	
Safe overload limit	%FS	150	
Ultimate load	%FS	300	
Cable length	ft	10	
Seal type	IP67		
Element material	Anodized Aluminum		
Bolt torque	Nm	35	

Dimensions and specifications subject to change without notice