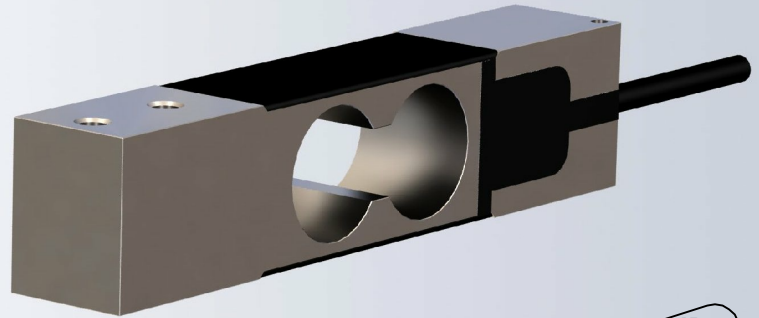


The 4039 series features stainless steel construction with an IP67 moisture protection rating. Capacities range from 7 kg up to 300 kg. This product is commonly used in stainless steel bench scales, portioning scales, packaging machines and filling machines.



**FEATURES**

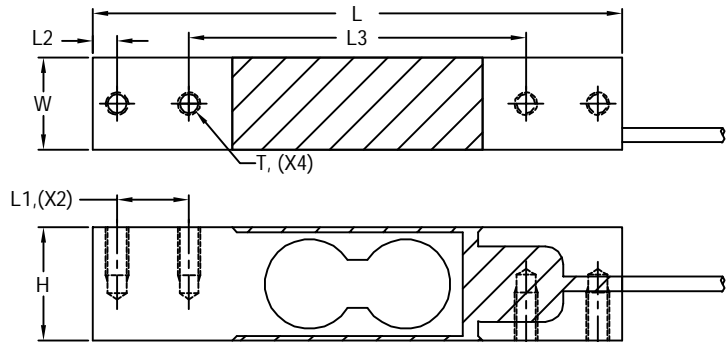
- Capacities from 7 kg to 300 kg.
- Stainless steel construction.
- Environmental Protection IP67.

**APPLICATIONS**

- Retail scales, bench scales, conveyor scales, filling and packaging machines.

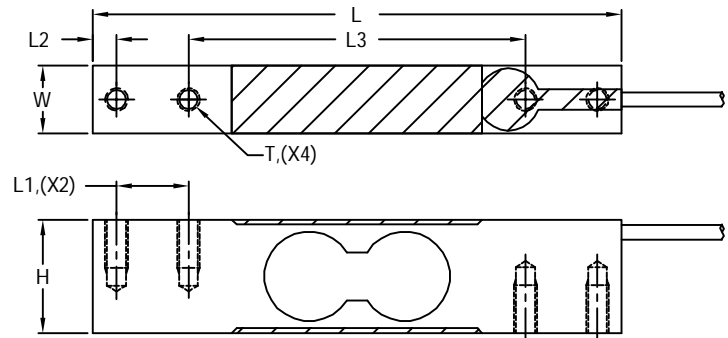
**OUTLINE DIMENSIONS**

30-300kg:

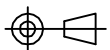


Rated Capacity(kg)	W	L	L1	L2	L3	T	H
30/ 60	0.94[23.9]	5.50[139.7]	0.75[19.1]	0.25[6.4]	3.50 [88.9]	1/4-20UNC	1.19[30.2]
100/ 150/ 200	1.21[30.7]	5.50[139.7]	0.88[22.4]	0.31[7.9]	3.12 [79.3]	3/8-16UNC	1.19[30.2]
300	1.44[36.6]	5.50[139.7]	0.88[22.4]	0.31[7.9]	3.12 [79.3]	3/8-16UNC	1.44[36.5]

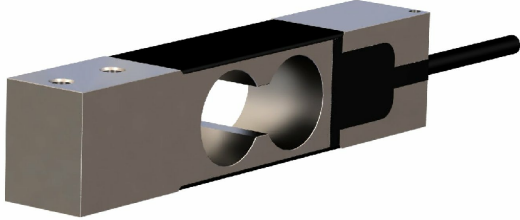
7-20kg:



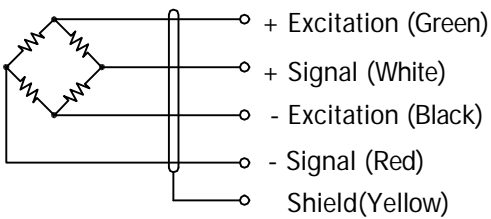
Rated Capacity(kg)	W	L	L1	L2	L3	T	H
7/ 10/ 15/ 20	0.71[18.0]	5.50[139.7]	0.75[19.1]	0.25[6.4]	3.50 [88.9]	1/4-20UNC	1.19[30.2]



single point  
**HBSP  
4039**



**WIRING**



Cable : 24 AWG, 4 Conductor cable with shield.

**SPECIFICATIONS**

Model	4039		
Capacities	kg	7/ 10/ 15/ 20/ 30/ 60/ 100/ 150/ 200/ 300	
Full scale output(FS)	mV/V	2.0±0.1%	
Calibration in	mV/V/Ω	0.0057±0.05%	
Combined error	%FS	≤±0.03	
Creep@30min	%FS	≤±0.0166	
Zero Balance	%FS	≤±5	
Temperature effect			
	Output	%FS/°C	≤±0.01
	Zero	%FS/°C	≤±0.014
Temperature range			
	Compensated	°C	-10... +40
	Operating	°C	-20... +60
Terminal resistance			
	Input resistance	Ω	450±100
	Output resistance	Ω	350±1
Excitation voltage	VDC	10... 15	
Insulation resistance@50VDC	MΩ	≥1000	
Safe overload limit	%FS	100	
Ultimate load	%FS	300	
Cable length	ft	12	
Seal type	IP67		
Element material	Stainless steel		

Dimensions and specifications subject to change without notice