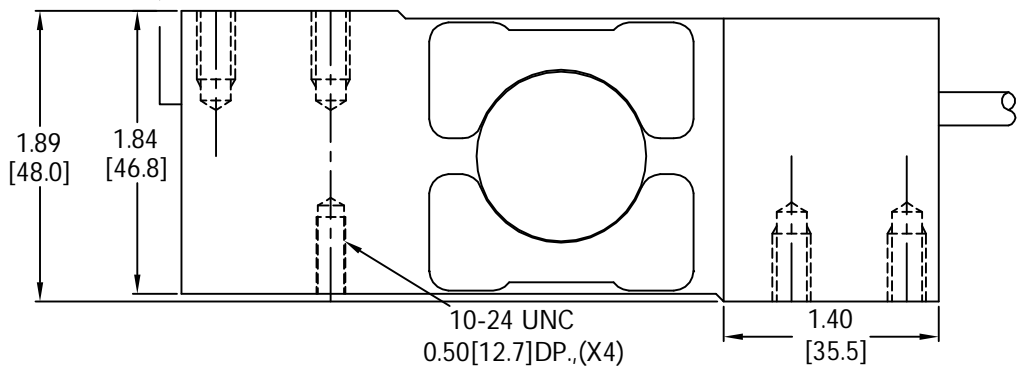
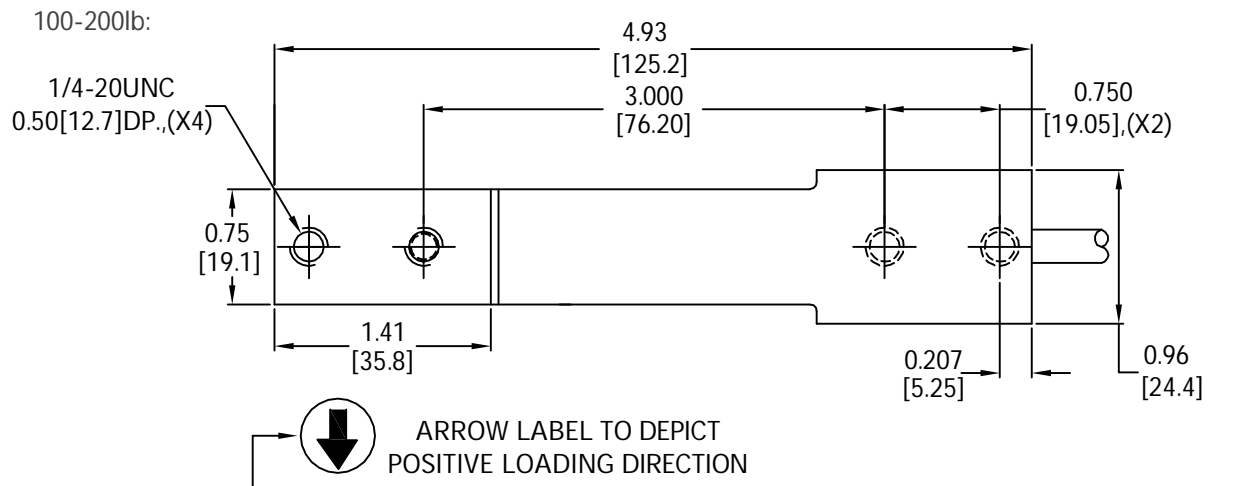
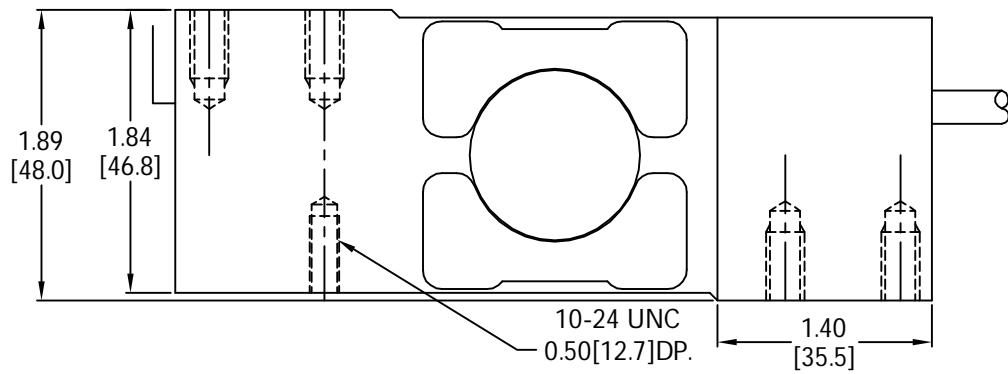
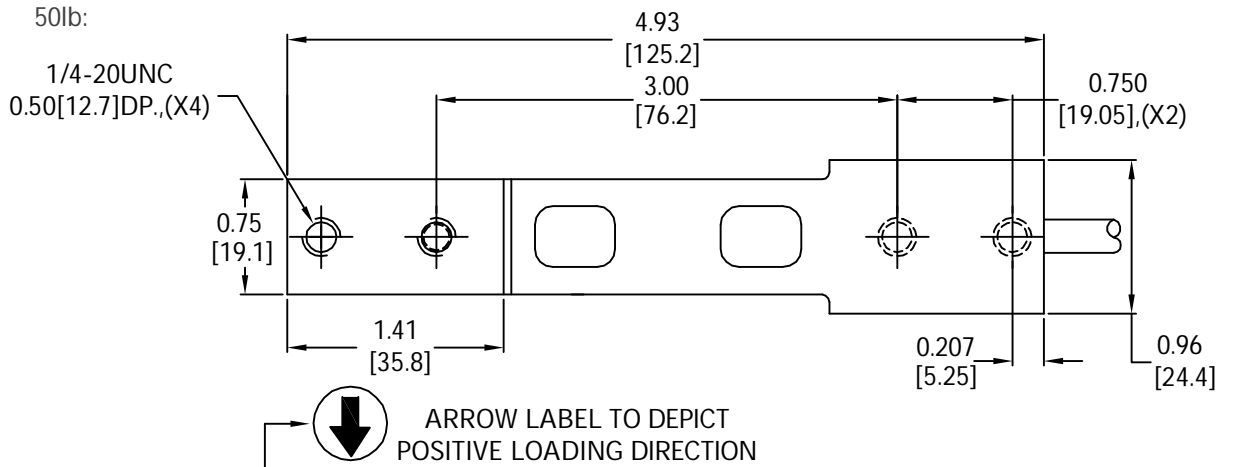
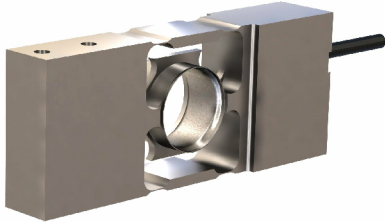


single point GHPS 4046

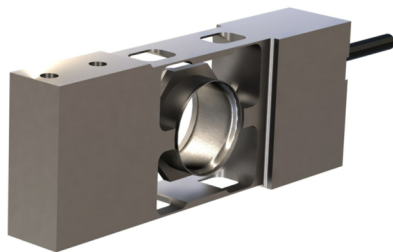


single point GHPS 4046

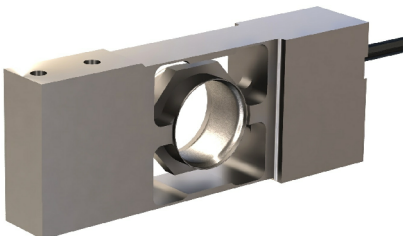
25lb:



50lb :



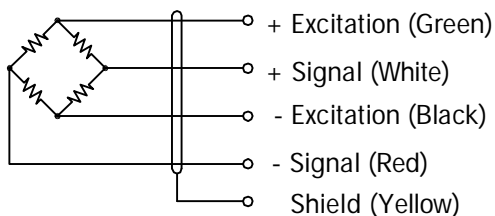
100lb/ 200lb :



SPECIFICATIONS

Model	4046		
Accuracy class	C3		
Capacities	lb	25/ 50/ 100/ 200	
Full scale output (FS)	mV/V	3.0±0.1%	
Calibration in mV/V/Ω	%	See options	
Combined error	%FS	≤±0.03	
Non-linearity	%FS	≤±0.03	
Hysteresis	%FS	≤±0.03	
Non- repeatability	%FS	≤±0.01	
Creep @ 5min	%FS	≤±0.024	
Zero balance	%FS	≤±1	
Temperature effect			
	Output	%FS/°C	≤±0.0005
	Zero	%FS/°C	≤±0.0015
Temperature range			
	Compensated	°C	-10... +40
	Operating	°C	-54... +93
Terminal resistance			
	Input resistance	Ω	386±10
	Output resistance	Ω	350±5
Excitation voltage	VDC	5... 15	
Insulation resistance @ 50V DC	MΩ	≥5000	
Safe overload limit	%FS	200	
Ultimate load	%FS	300	
Approximate deflection at rated load	mm	0.3	
Cable length	ft	25	
Seal type	IP68		
Element material	Stainless steel		

WIRING



Cable : 24 AWG, 4-Conductor shielded cable with polyurethane jacket.

PART NUMBERS

Capacity(lb)	Part#
25	4046-000-00
50	4046-001-00
100	4046-002-00
200	4046-003-00

Dimensions and specifications subject to change without notice



Pioneering Measured Solutions

Group Four Transducers
22 Deer Park Drive,
E. Longmeadow, MA 01028
www.groupfourtransducers.com

Phone : (800) 419 1444
Fax : (413) 525 -6182
sales@group-4.com