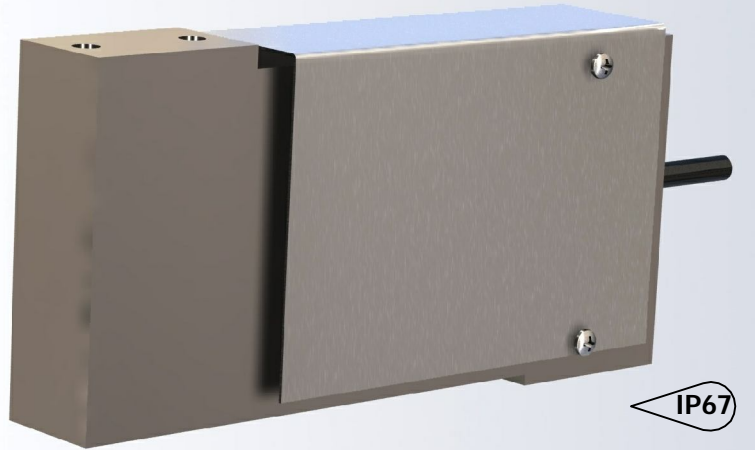


The type STD is a stainless steel single point load cell



FEATURES

- Capacities from 25lb to 250lb
- Stainless steel construction
- Environmental protection IP67

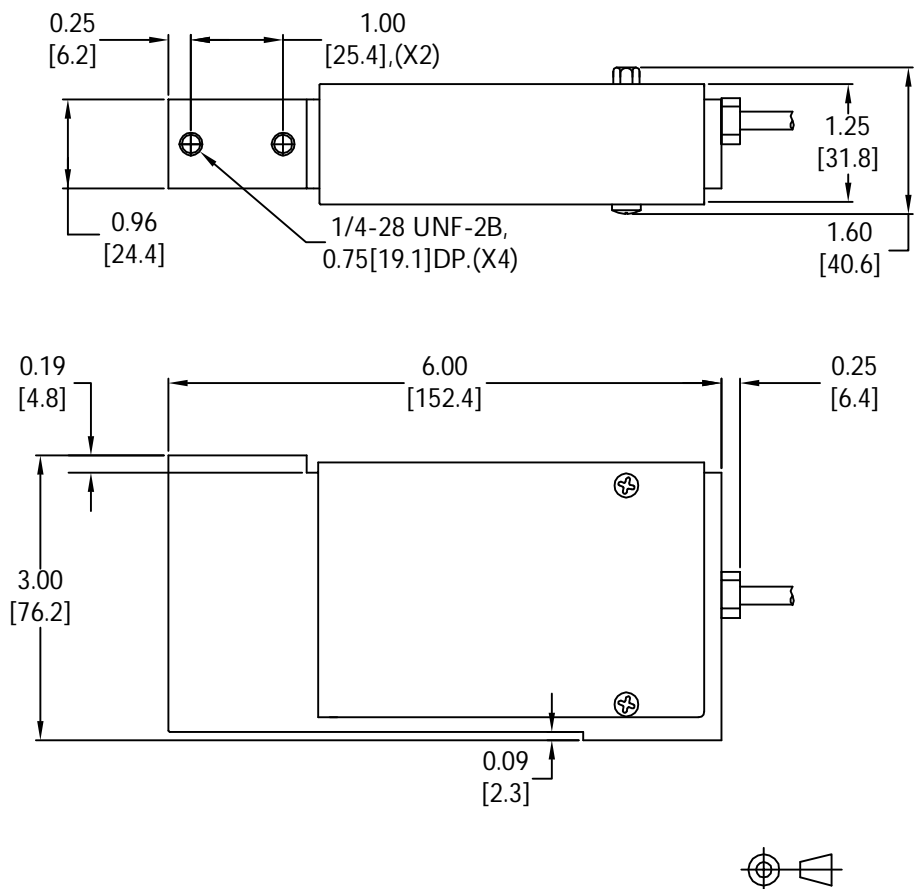
APPLICATIONS

- Single point platform scales, belt conveyor scales, bench and counting scales, hopper scales and netweighing, checkweighing scales

OPTIONS

- Plated steel version
- mV/V/ Ω calibration for applications with multiple loadcells

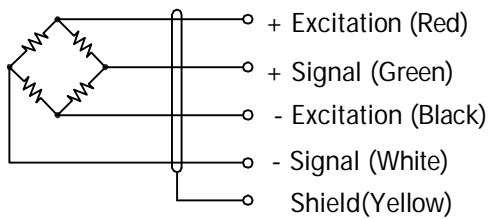
OUTLINE DIMENSIONS



single point STD 4050



WIRING



Load cell is provided with 22AWG, 4-conductor shielded cable

SPECIFICATIONS

Model	STD		
Capacities	lb	25/ 50/ 100/ 200/ 250	
Full scale output(FS)	mV/V	1.9 - 2.1	
Non-linearity	%FS	≤±0.03	
Hysteresis	%FS	≤±0.05	
Non- repeatability	%FS	≤±0.03	
Creep@30min	%FS	≤±0.03	
Zero Balance	%FS	≤±2	
Temperature range			
	Compensated	°C	-10... +40
	Operating	°C	-40... +65
Terminal resistance			
	Input resistance	Ω	450±100
	Output resistance	Ω	350±5
Excitation voltage	VDC	10... 15	
Insulation resistance@50VDC	MΩ	≥3000	
Safe overload limit	%FS	150	
Ultimate load	%FS	300	
Cable length	ft	10	
Seal type	IP67		
Element material	Stainless steel		

PART NUMBERS

Capacity(lb)	Part number
25	4050-000-00
50	4050-001-00
100	4050-002-00
200	4050-003-00
250	4050-004-00

Dimensions and specifications subject to change without notice