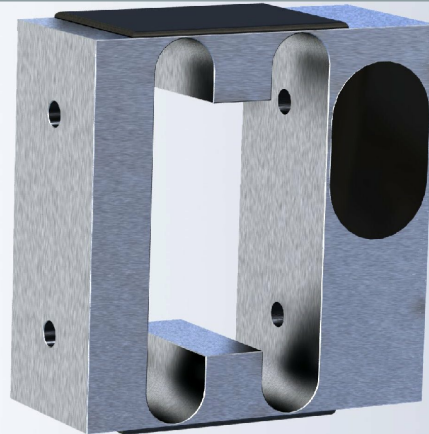


The type TLC is an aluminum single point load cell ideal for use in packaging machines.



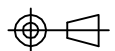
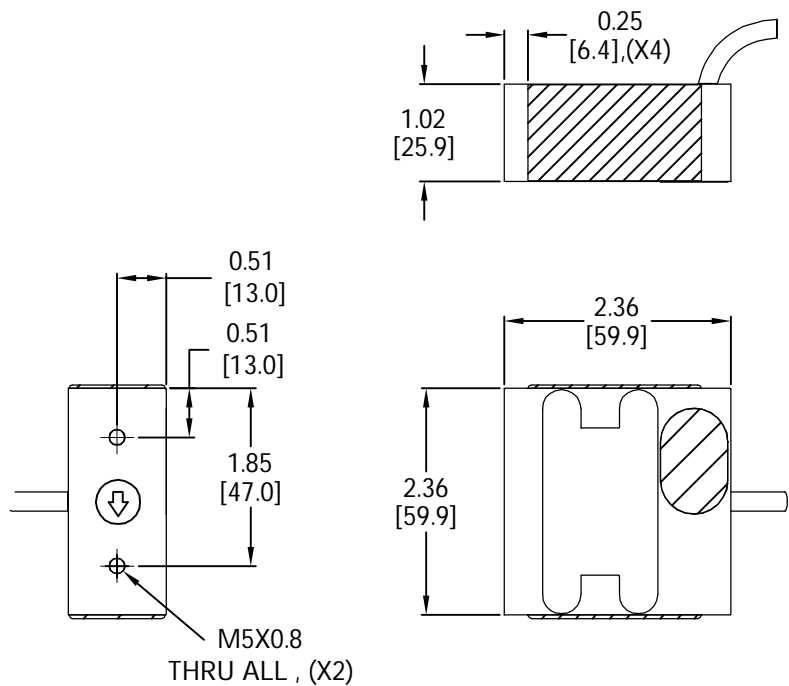
FEATURES

- Capacity 6 kg.
- Aluminum construction.
- Environmental Protection IP67.

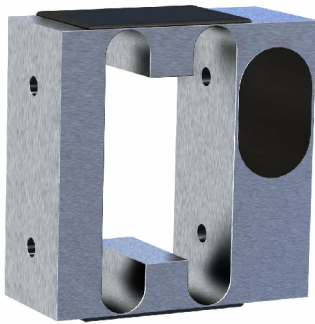
APPLICATIONS

- Packaging machines, Ishida packaging machines.

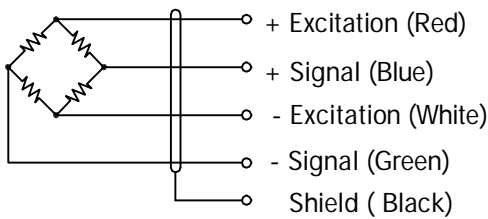
OUTLINE DIMENSIONS



single point
TLC
4060



WIRING



Cable : 24 AWG 4 Conductor cable.

SPECIFICATIONS

Model	4060		
Capacities	kg	6	
Full scale output (FS)	mV/V	1.70±0.1%	
Non-linearity	%FS	≤±0.05	
Hysteresis	%FS	≤±0.05	
Creep @ 30min	%FS	≤±0.017	
Zero balance	%FS	≤±2	
Temperature effect			
	Output	%FS/10°C	≤±0.01
	Zero	%FS/10°C	≤±0.01
Temperature range			
	Compensated	°C	-10... +40
	Operating	°C	-20... +60
Terminal resistance			
	Input resistance	Ω	386±10
	Output resistance	Ω	350±3
Excitation voltage	VDC	10... 15	
Insulation resistance @ 50V DC	MΩ	≥1000	
Safe overload limit	%FS	100	
Ultimate load	%FS	300	
Cable length	inch	6.5	
Seal type	IP67		
Element material	Aluminum 2024		

PART NUMBER

Capacity / Cable Length	Part No.
6kg / 6.5inch	4060-000-01

Dimensions and specifications subject to change without notice