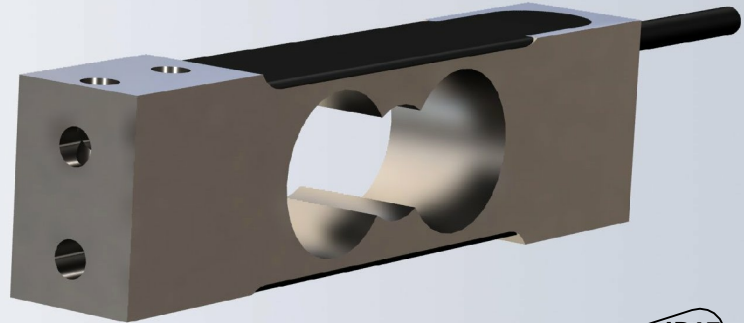


Single point load cell for use in bench scales, filling and packaging machines.



IP67

FEATURES

- Capacities from 10 kg to 100 kg.
- Alloy steel construction.
- Environmental Protection IP67.
- Maximum platform size up to 300x300 mm(10-30kg), 400 x 400 mm(50-100kg).
- Integral mounting spacer.
- More rugged than SP4-A aluminum version.

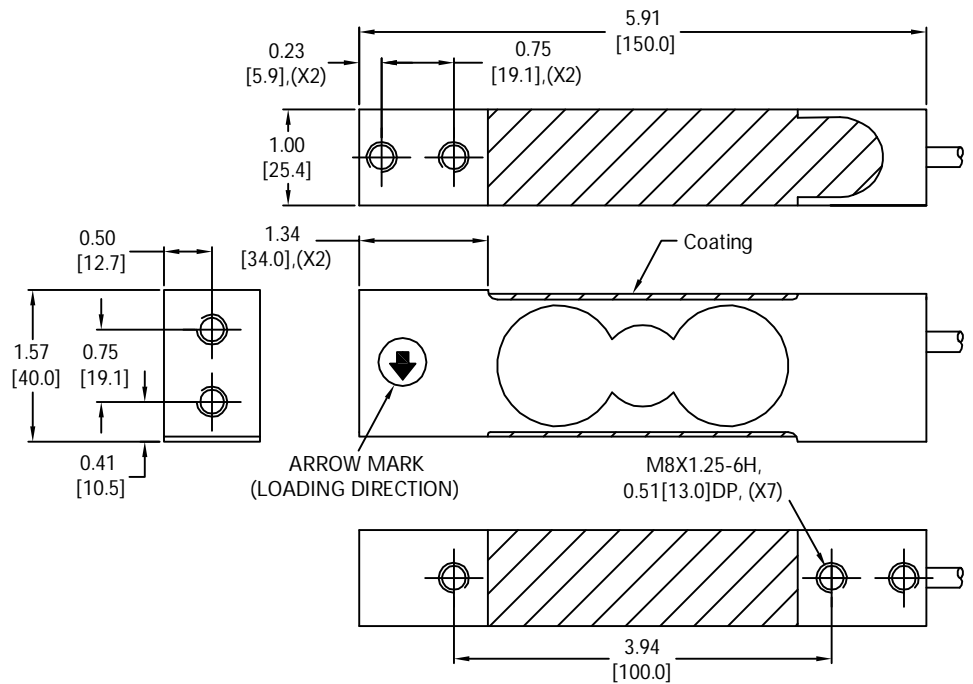
APPLICATIONS

- Retail scales, bench scales, conveyor scales, filling and packaging machines.
- Ideal for rugged environment not suitable for aluminum load cells.

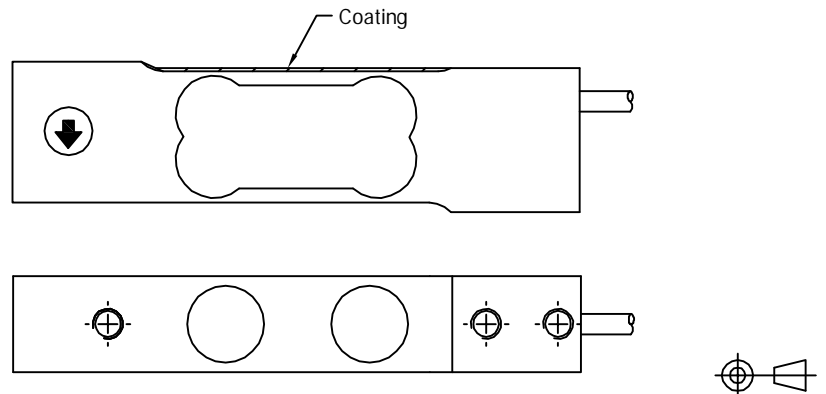
OPTIONS

- mV/V/Ω Calibration for applications with multiple load cells.
- 4018 : With aluminum construction.
- 4023 : With stainless steel construction.

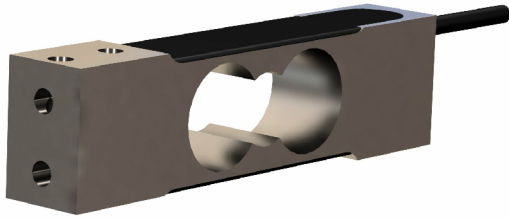
OUTLINE DIMENSIONS



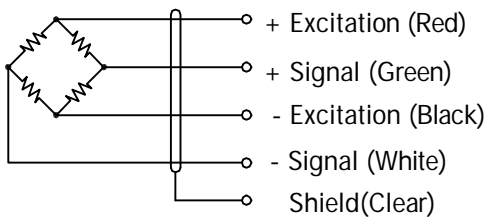
FRONT & BOTTOM VIEW OF 10kg CAPACITY :



single point
SP4NP
4073



WIRING



Cable : 24 AWG, 4 Conductor shielded black cable.

SPECIFICATIONS

Model	4073		
Accuracy class	C3		
Capacities	kg	10/ 15/ 20/ 30/ 50/ 75/ 100	
Full scale output(FS)	mV/V	2.0±0.002	
Combined error	%FS	≤±0.03	
Creep@30min	%LOAD	≤±0.03	
Zero Balance	%FS	≤±1	
Temperature range			
	Compensated	°C	-10... +40
	Operating	°C	-40... +70
Terminal resistance			
	Input resistance	Ω	400±10
	Output resistance	Ω	352±2
Excitation voltage	VDC	10... 15	
Insulation resistance@50VDC	MΩ	≥5000	
Maximum overload	%FS	150	
Without mechanical stop	%FS	300	
Cable length	m	3	
Maximum safe moment	kg.cm	30 x Rated capacity	
Deflexion@rated capacity	mm	0.49	
Weight	kg	0.78	
Seal type	IP67		
Element material	Nickel plated alloy steel		

Dimensions and specifications subject to change without notice



Pioneering Measured Solutions

Group Four Transducers
22 Deer Park Drive,
E. Longmeadow, MA 01028
www.groupfourtransducers.com

Phone : (800) 419 1444
Fax : (413) 525 -6182
sales@group-4.com